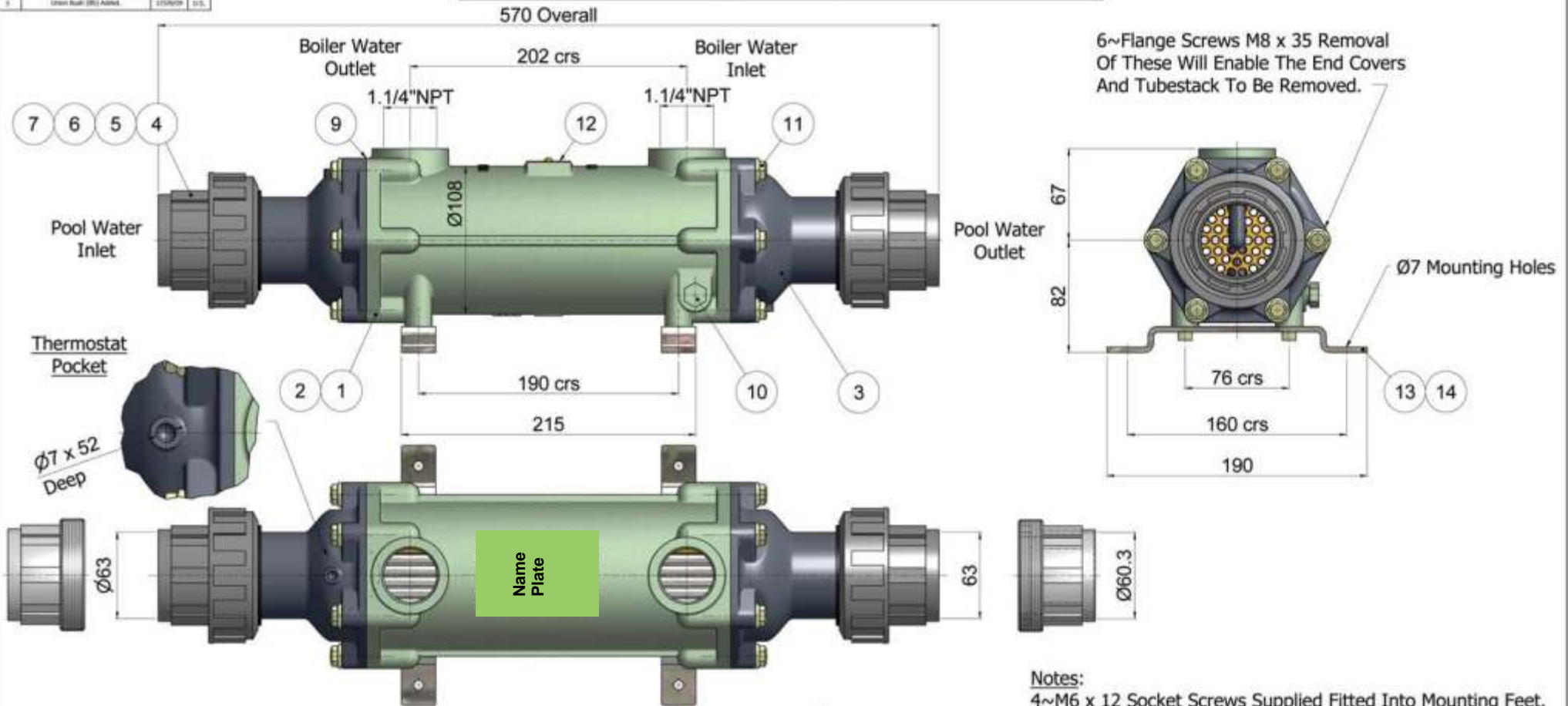


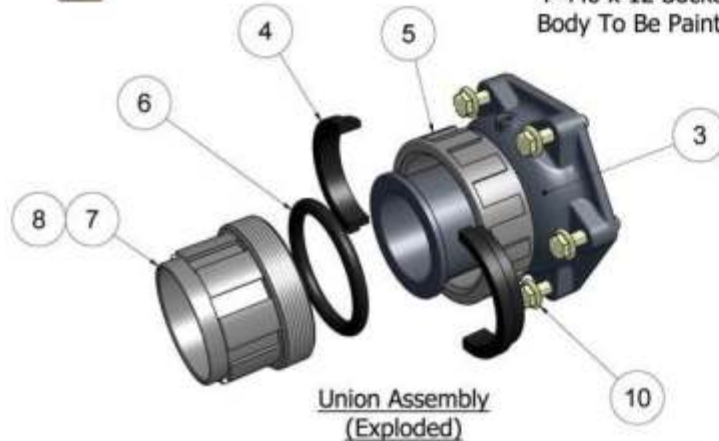
REV	DESCRIPTION	DATE	BY
2	1/4"NPT Tubing Hole 2"NPT	3/25/09	D.S.
1	Union Bush (BS) Adpt.	1/15/09	D.S.

### Model 5103-2 Swimming Pool Heat Exchanger



**Notes:**  
 4~M6 x 12 Socket Screws Supplied Fitted Into Mounting Feet.  
 Body To Be Painted Swimming Pool Green.

	M6 x 12	4	Socket Screws	14	MS
	4154	2	Mounting Feet	13	SS
	3594	1	Nameplate	12	Brass
	M8 x 35	12	Flange Screws	11	MS
1/4"BSP	915	1	Drain Plug	10	Brass
	0546NT	2	Seals	9	Nitrile
		2	Union Bush (BS)	8	PVC
		2	Union Bush (Metric)	7	PVC
	5138	2	Union Seals	6	EPDM
		2	Union Nuts	5	GFN
	4572	4	Split Rings	4	GFN
	4575	2	End Covers	3	GFN
	5089-2TN2P	1	Tubestack FC100	2	CN10
FC70	4668-2N	1	Body FC100	1	CI
Part No.	Drq No.	Qty	Description	Item	Material



ALL DIMENSIONS ARE IN MILLIMETERS

		<b>SEC Heat Exchangers</b> 1-800-335-6650
DATE:	13/05/2009	TITLE:
REVISION:		5103-2
CHECKED:		DRG No:
SCALE:	1:1	