

SEEC

Plate and Frame Heat Exchangers

Model Drawings and Data Sheets

Single Pass

DX1-1P

DX2 Flange DX2 Pipe

DX3 Flange DX3 Pipe

DX4

DX17

DX20S

DX22 or DX22 Stud

DX30S

DX143

DX146

DX148

Multi Pass

DX1

DX2

DX3 Flange

DX4

DX20L

DX22

DX30L

DX143

DX146

DX148

Odd

DX17

DX143

DX148

Even

DX17

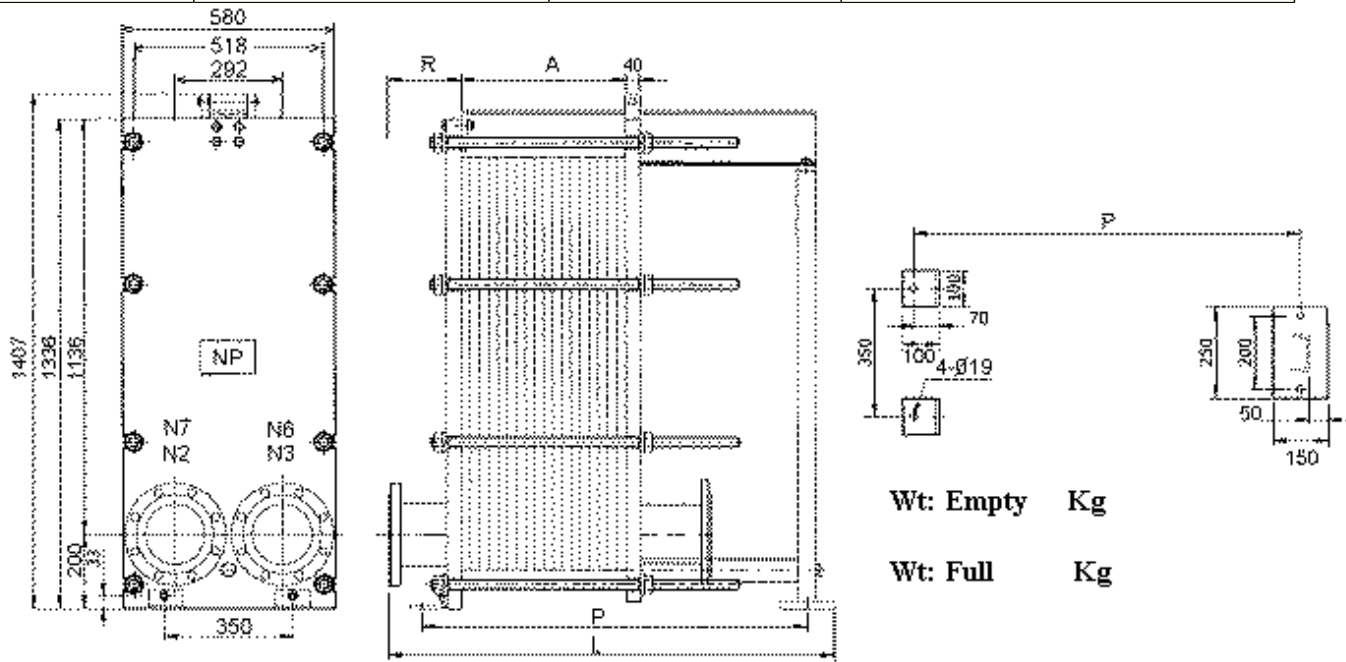
DX143

Got Questions? Get Answers! Need A Quotation\$

www.secplateandframe.com

DX-143 Multi-Pass Even

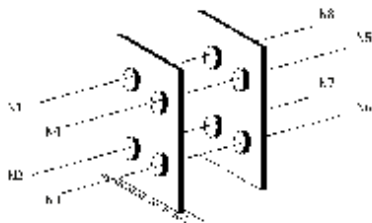
Client		Quotation Number	
Service		Date	



Dimension	A (mm)	P (mm)	L (mm)	Frame (t)	Plate (t)	R (mm)	Rmax (mm)
						175	
Material	Frame	Plate	Gasket	NozL (hot)	NozL (cold)	Flange	Bolt
							M30

NOZZLE DETAILS

Nozzle	Size	Flow	Media	Nozzle	Size	Flow	Media
N2				N7			
N3				N6			

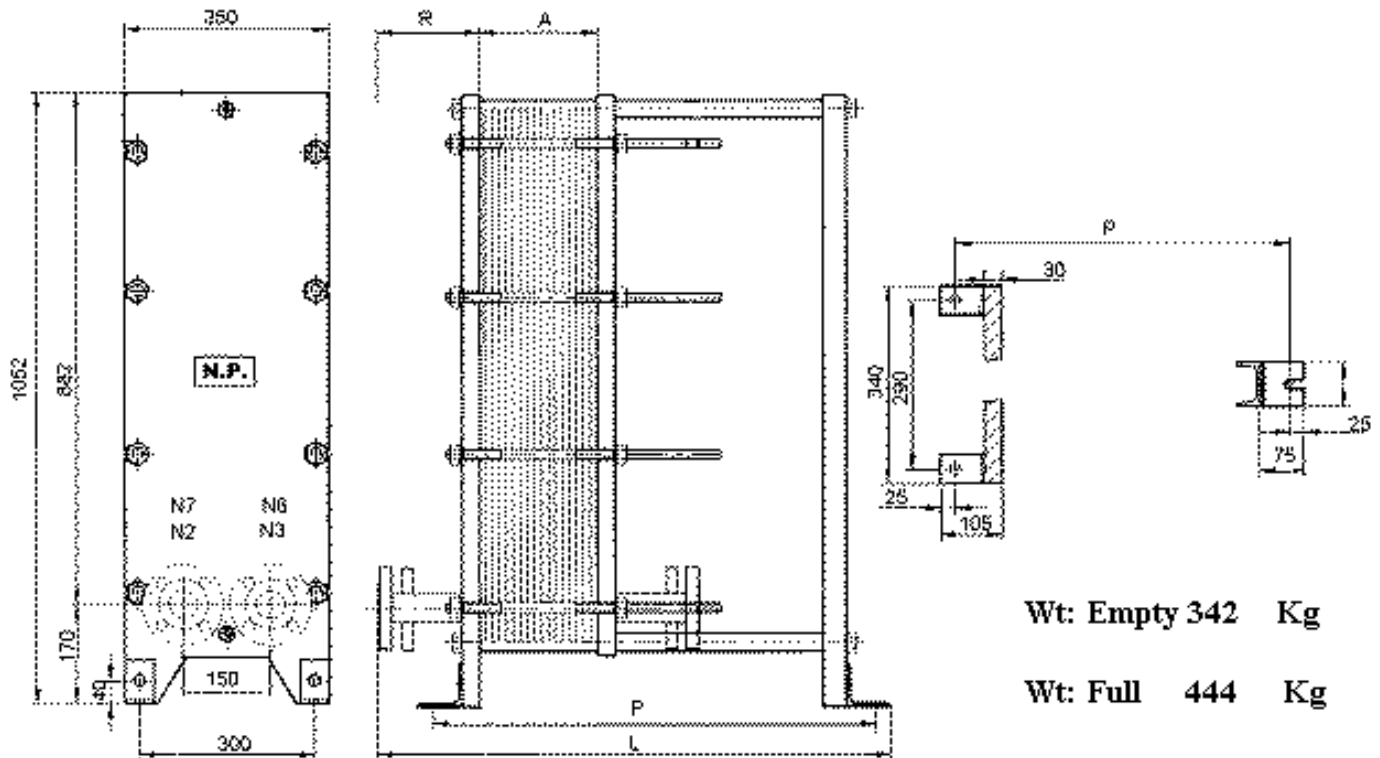


Notes:

Quotation drawing only not for construction
 Manufactured by an ISO9001 Certified Company

DX-17 Even Connections

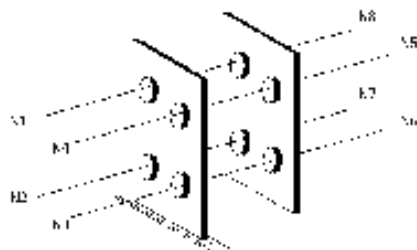
Client		Quotation Number	
Service		Date	



Dimension	A (mm)	P (mm)	L (mm)	Frame (t)	Plate (t)	R (mm)	Rmax (mm)
						175	
Material	Frame	Plate	Gasket	NozL (hot)	NozL (cold)	Flange	Bolt
							M30

NOZZLE DETAILS

Nozzle	Size	Flow	Media	Nozzle	Size	Flow	Media
N2				N6			
N3				N7			

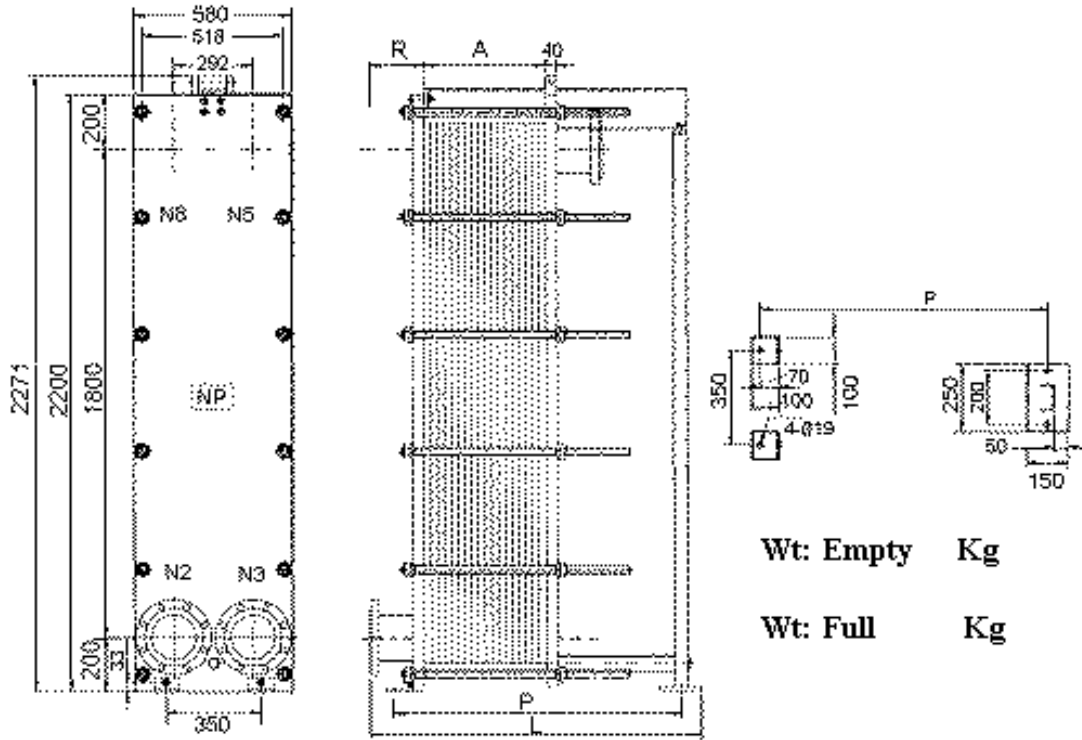


Notes:

Quotation drawing only not for construction
 Manufactured by an ISO9001 Certified Company

DX-148 Multi-Pass Odd

Client		Quotation Number	
Service		Date	



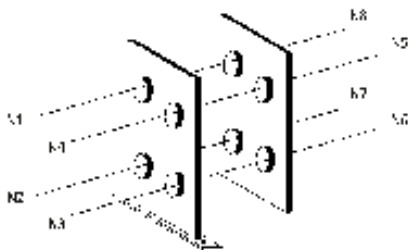
Wt: Empty Kg

Wt: Full Kg

Dimension	A (mm)	P (mm)	L (mm)	Frame (t)	Plate (t)	R (mm)	Rmax (mm)
						175	
Material	Frame	Plate	Gasket	NozL (hot)	NozL (cold)	Flange	Bolt
							M30

NOZZLE DETAILS

Nozzle	Size	Flow	Media	Nozzle	Size	Flow	Media
N2				N8			
N3				N5			



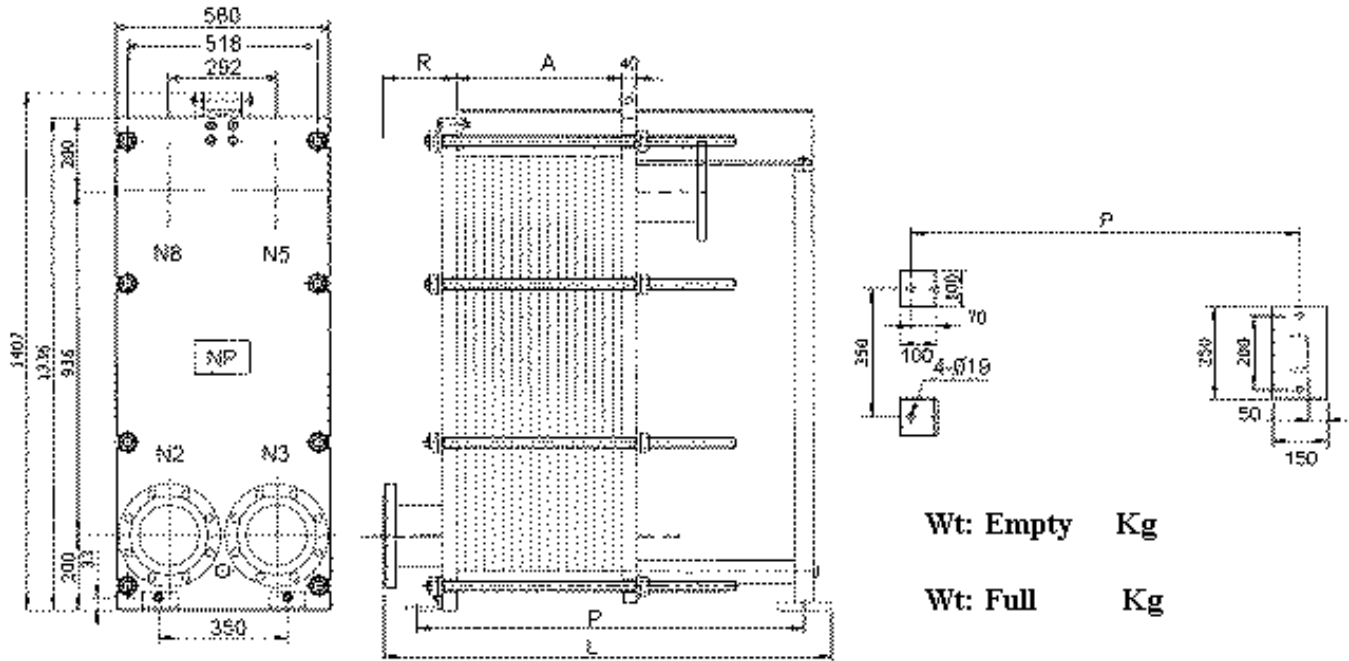
Notes:

Quotation drawing only not for construction

Manufactured by an ISO9001 Certified Company

Type: DX-143 Multi-Pass Odd

Client		Quotation Number	
Service		Date	



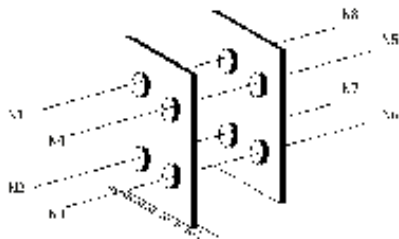
Wt: Empty Kg

Wt: Full Kg

Dimension	A (mm)	P (mm)	L (mm)	Frame (t)	Plate (t)	R (mm)	Rmax (mm)
							175
Material	Frame	Plate	Gasket	NozL (hot)	NozL (cold)	Flange	Bolt
							M30

NOZZLE DETAILS

Nozzle	Size	Flow	Media	Nozzle	Size	Flow	Media
N2				N8			
N3				N5			



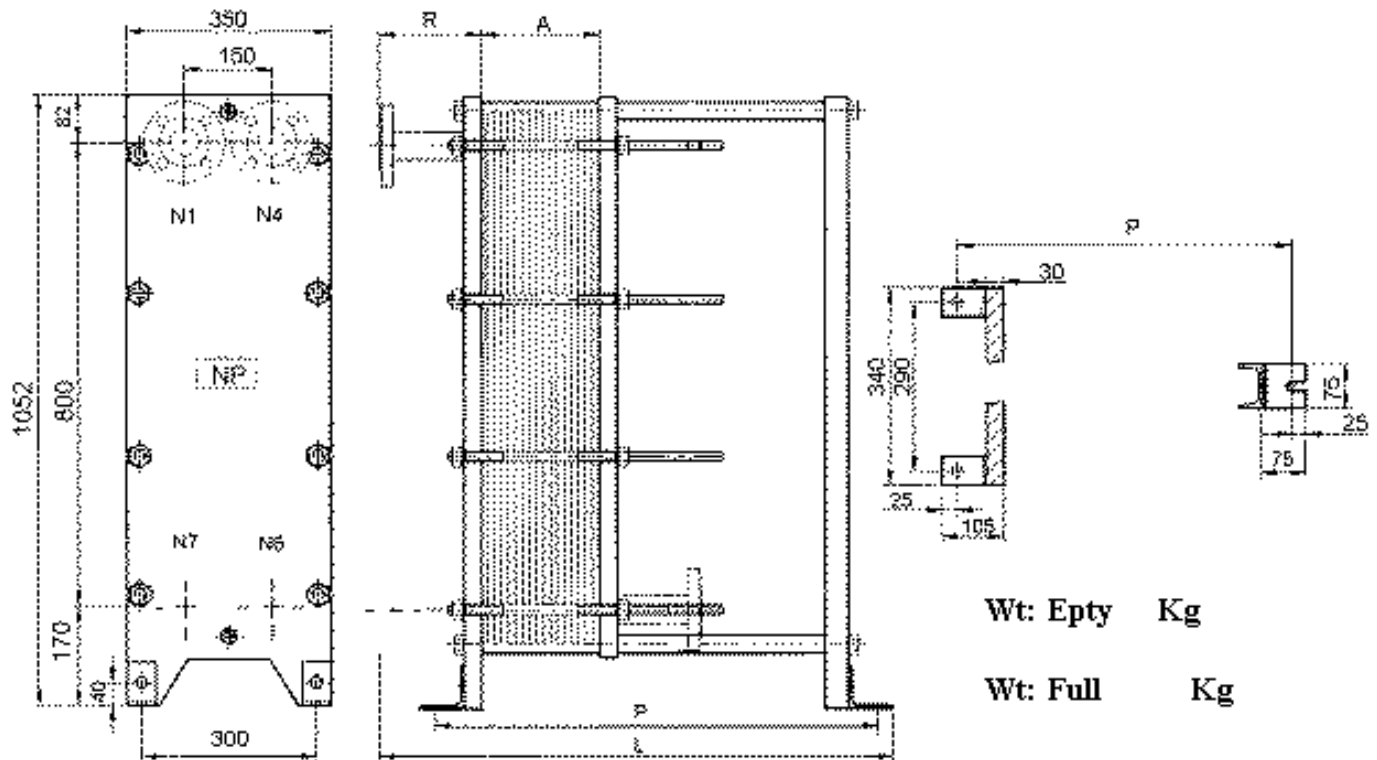
Notes:

Quotation drawing only not for construction

Manufactured by an ISO9001 Certified Company

DX-17 Odd Connections

Client		Quotation Number	
Service		Date	



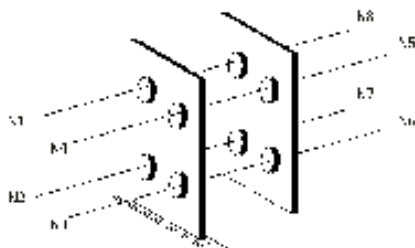
Wt: Epty Kg

Wt: Full Kg

Dimension	A (mm)	P (mm)	L (mm)	Frame (t)	Plate (t)	R (mm)	Rmax (mm)
						175	
Material	Frame	Plate	Gasket	NozL (hot)	NozL (cold)	Flange	Bolt
							M30

NOZZLE DETAILS

Nozzle	Size	Flow	Media	Nozzle	Size	Flow	Media
N1							
				N6			
				N7			
N4							

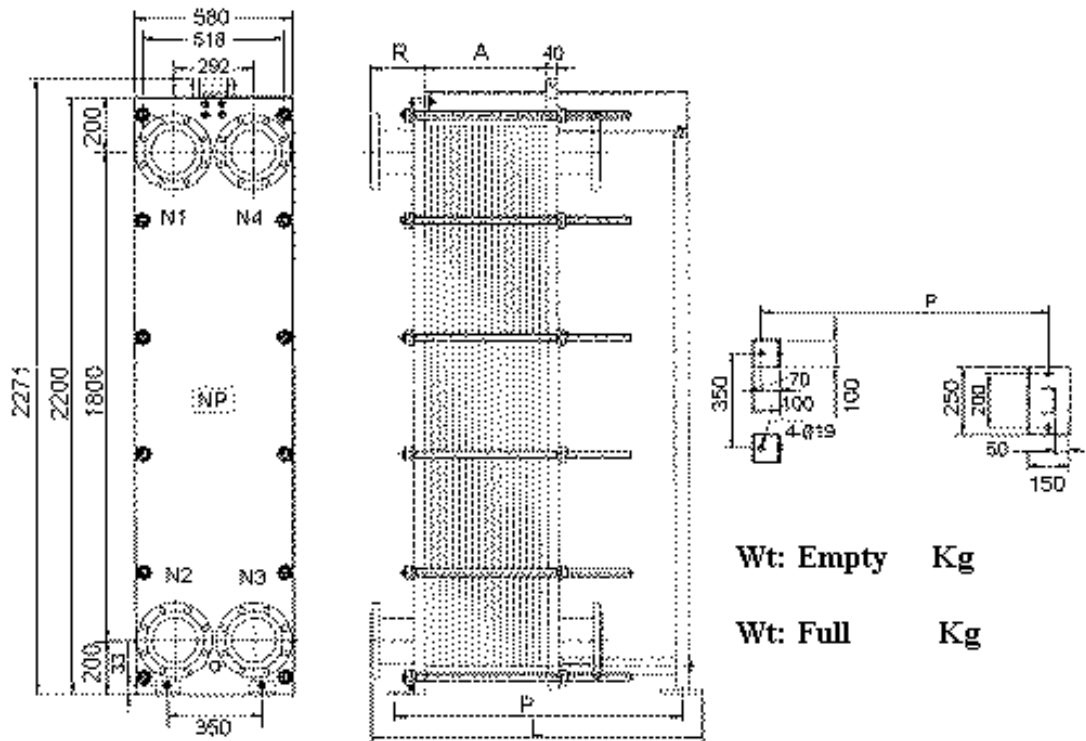


Notes:

Quotation drawing only not for construction
 Manufactured by an ISO9001 Certified Company

DX-148 Multi-Pass

Client		Quotation Number	
Service		Date	



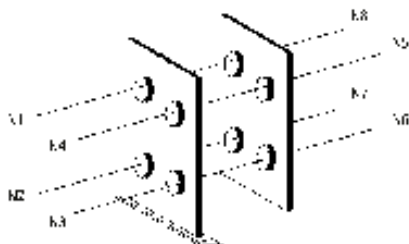
Wt: Empty Kg

Wt: Full Kg

Dimension	A (mm)	P (mm)	L (mm)	Frame (t)	Plate (t)	R (mm)	Rmax (mm)
						175	
Material	Frame	Plate	Gasket	NozL (hot)	NozL (cold)	Flange	Bolt
							M30

NOZZLE DETAILS

Nozzle	Size	Flow	Media	Nozzle	Size	Flow	Media
N1				N5			
N2				N6			
N3				N7			
N4				N8			

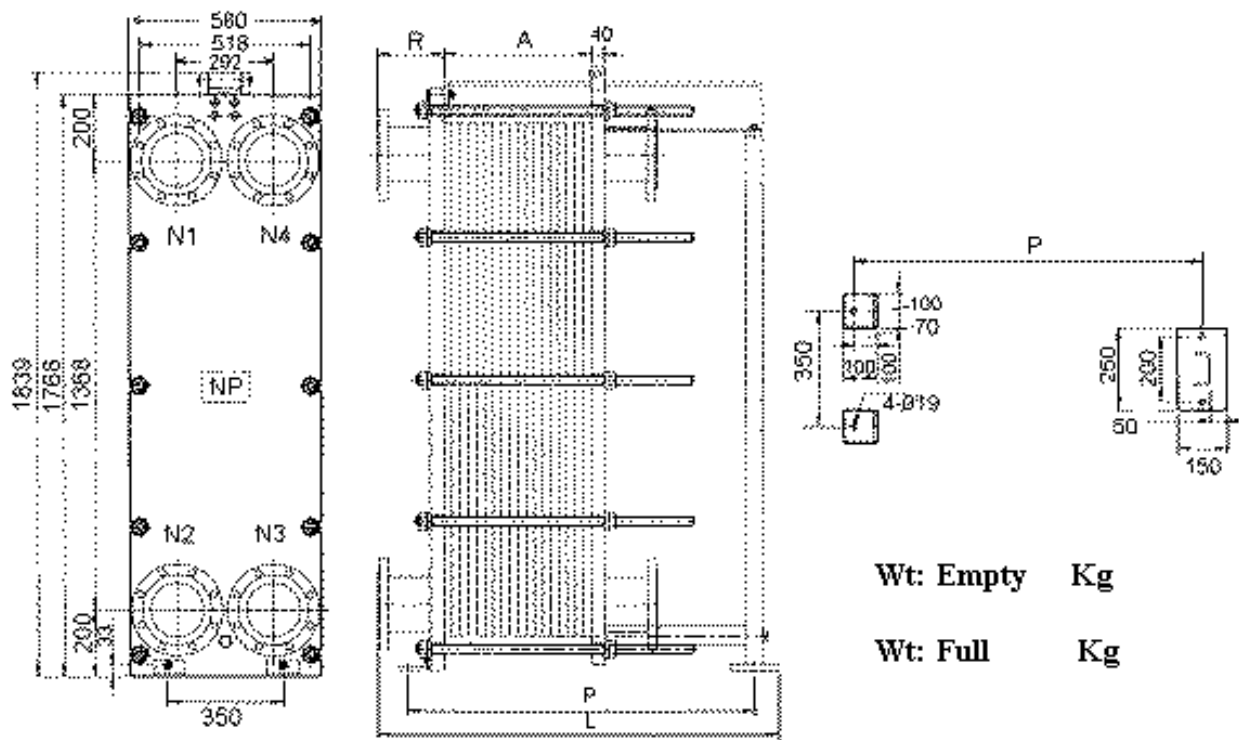


Notes:

Quotation drawing only not for construction
 Manufactured by an ISO9001 Certified Company

DX-146 Multi-Pass

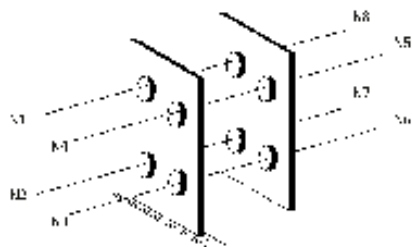
Client		Quotation Number	
Service		Date	



Dimension	A (mm)	P (mm)	L (mm)	Frame (t)	Plate (t)	R (mm)	Rmax (mm)
						175	
Material	Frame	Plate	Gasket	NozL (hot)	NozL (cold)	Flange	Bolt
							M30

NOZZLE DETAILS

Nozzle	Size	Flow	Media	Nozzle	Size	Flow	Media
N1				N5			
N2				N6			
N3				N7			
N4				N8			

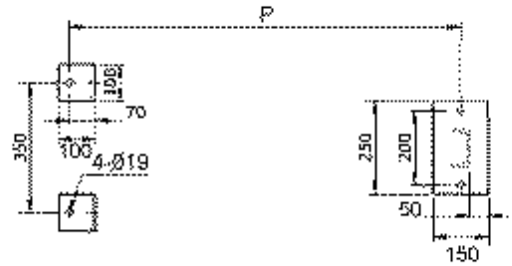
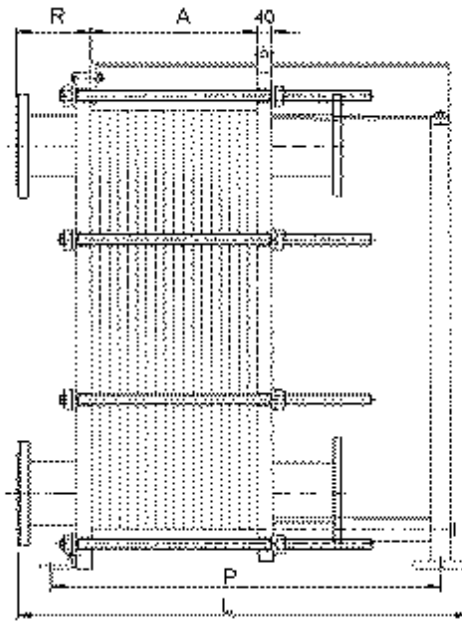
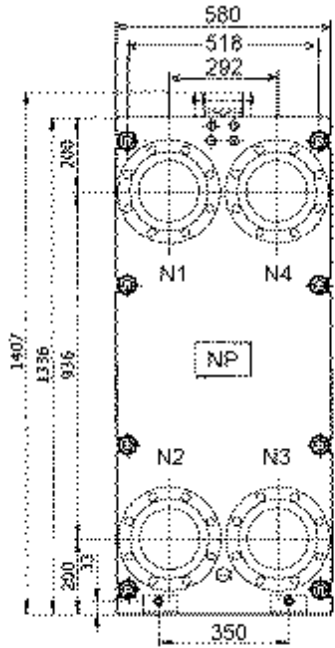


Notes:

Quotation drawing only not for construction
 Manufactured by an ISO9001 Certified Company

DX-143 Multi-Pass

Client		Quotation Number	
Service		Date	



Wt: Empty Kg

Wt: Full Kg

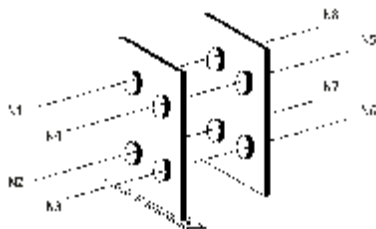
Dimension	A (mm)	P (mm)	L (mm)	Frame (t)	Plate (t)	R (mm)	Rmax (mm)
						175	
Material	Frame	Plate	Gasket	NozL (hot)	NozL (cold)	Flange	Bolt
							M30

NOZZLE DETAILS

Nozzle	Size	Flow	Media	Nozzle	Size	Flow	Media
N1				N5			
N2				N6			
N3				N7			
N4				N8			

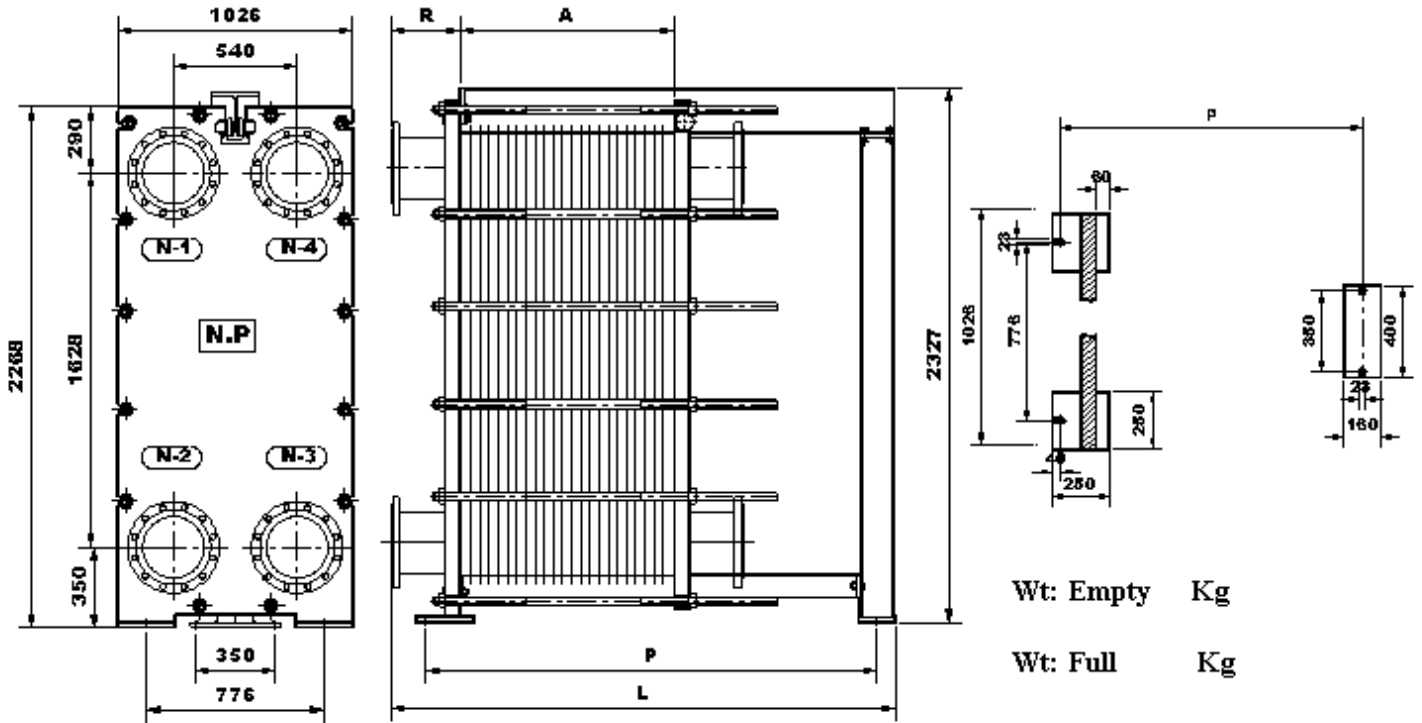
Notes:

Quotation drawing only not for construction
 Manufactured by an ISO9001 Certified Company



DX-30L

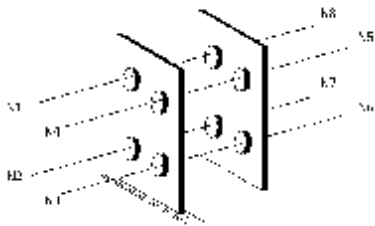
Client		Quotation Number	
Service		Date	



Dimension	A (mm)	P (mm)	L (mm)	Frame (t)	Plate (t)	R (mm)	Rmax (mm)
						175	
Material	Frame	Plate	Gasket	NozL (hot)	NozL (cold)	Flange	Bolt
							M36

NOZZLE DETAILS

Nozzle	Size	Flow	Media	Nozzle	Size	Flow	Media
N1				N5			
N2				N6			
N3				N7			
N4				N8			

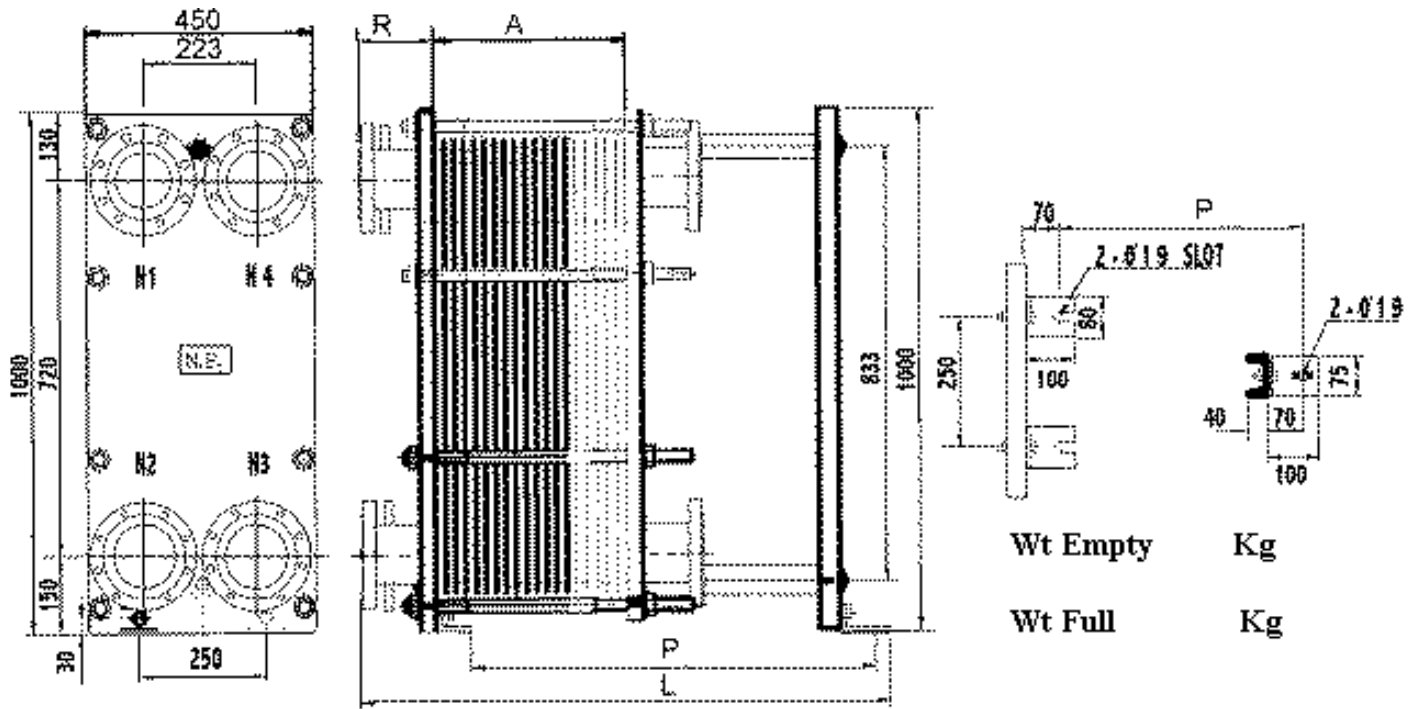


Notes:

Quotation drawing only not for construction
Manufactured by an ISO9001 Certified Company

DX-22 Multi-Pass

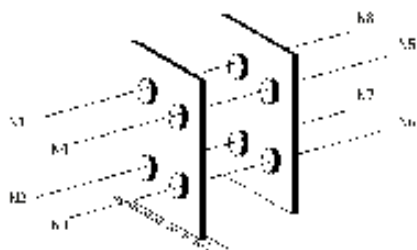
Client		Quotation Number	
Service		Date	



Dimension	A (mm)	P (mm)	L (mm)	Frame (t)	Plate (t)	R (mm)	Rmax (mm)
						175	
Material	Frame	Plate	Gasket	NozL (hot)	NozL (cold)	Flange	Bolt
							M24

NOZZLE DETAILS

Nozzle	Size	Flow	Media	Nozzle	Size	Flow	Media
N1				N5			
N2				N6			
N3				N7			
N4				N8			

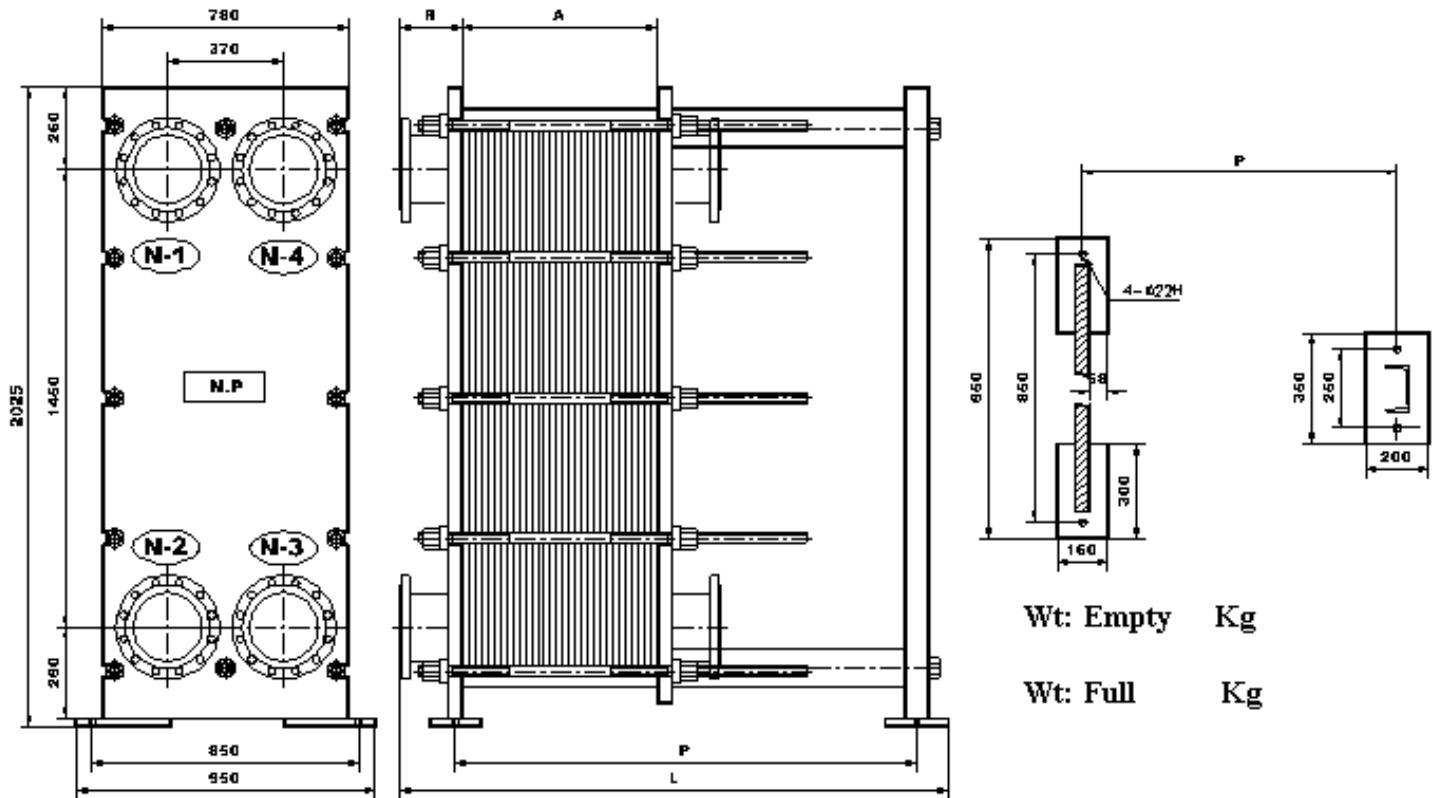


Notes:

Quotation drawing only not for construction
Manufactured by an ISO9001 Certified Company

DX-20L

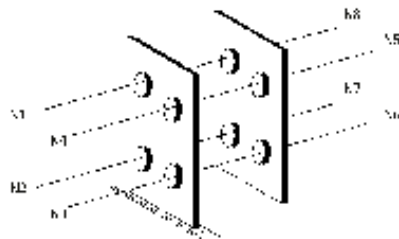
Client		Quotation Number	
Service		Date	



Dimension	A (mm)	P (mm)	L (mm)	Frame (t)	Plate (t)	R (mm)	Rmax (mm)
						175	
Material	Frame	Plate	Gasket	NozL (hot)	NozL (cold)	Flange	Bolt
							UNC 1-1/2

NOZZLE DETAILS

Nozzle	Size	Flow	Media	Nozzle	Size	Flow	Media
N1				N5			
N2				N6			
N3				N7			
N4				N8			

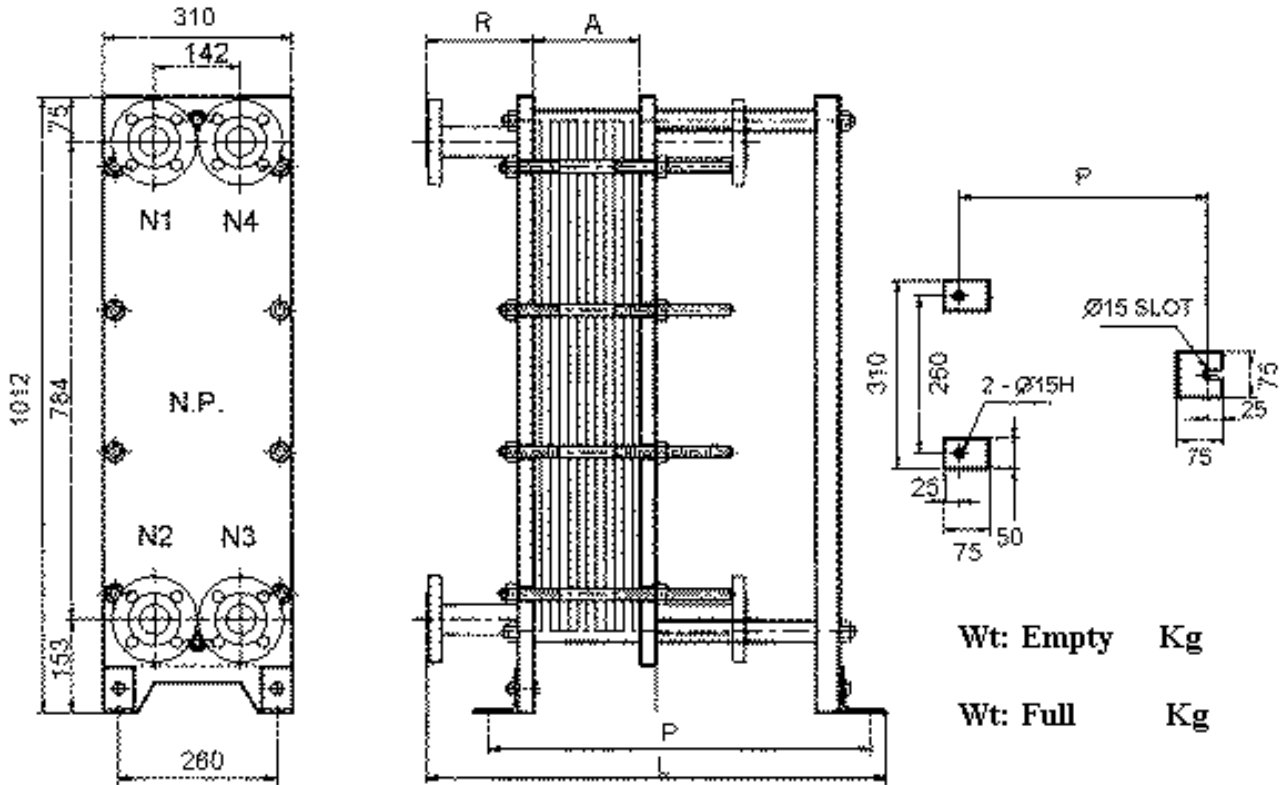


Notes:

Quotation drawing only not for construction
Manufactured by an ISO9001 Certified Company

DX-4 Multi-Pass

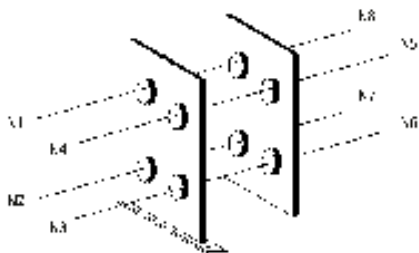
Client		Quotation Number	
Service		Date	



Dimension	A (mm)	P (mm)	L (mm)	Frame (t)	Plate (t)	R (mm)	Rmax (mm)
						175	
Material	Frame	Plate	Gasket	NozL (hot)	NozL (cold)	Flange	Bolt
							M20

NOZZLE DETAILS

Nozzle	Size	Flow	Media	Nozzle	Size	Flow	Media
N1				N5			
N2				N6			
N3				N7			
N4				N8			

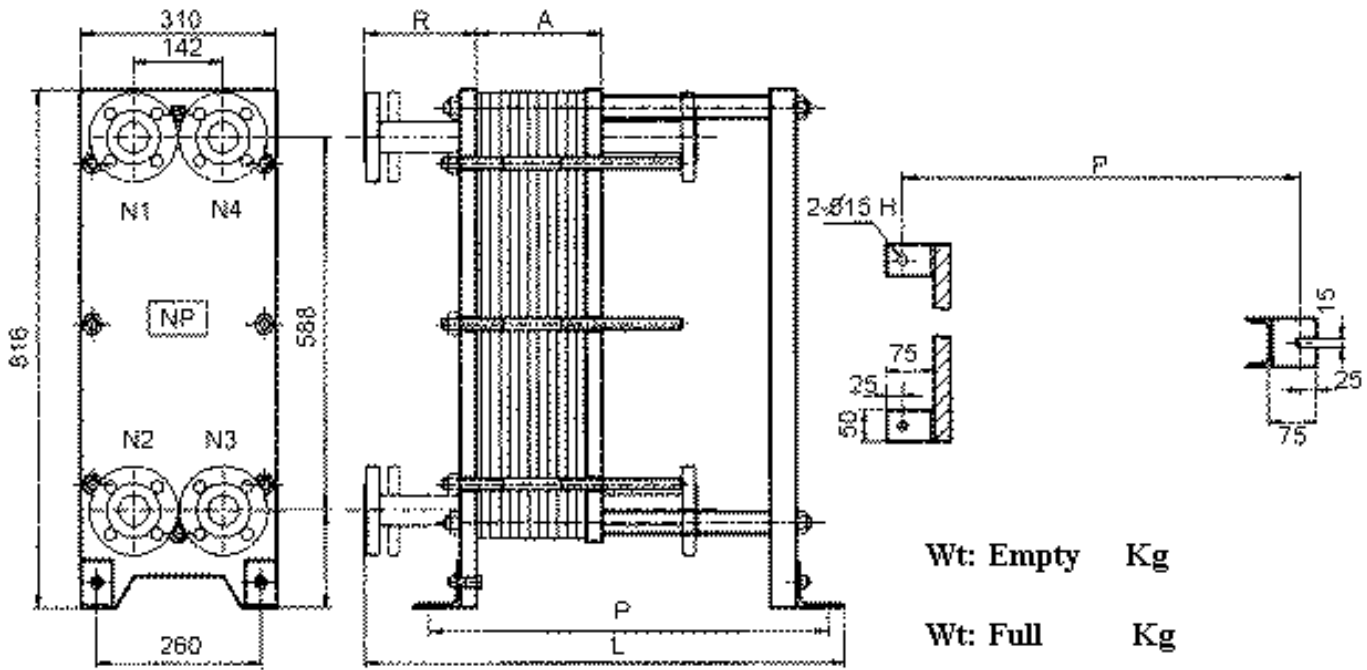


Notes:

Quotation drawing only not for construction
 Manufactured by an ISO9001 Certified Company

DX-3 Multi-Pass Flange

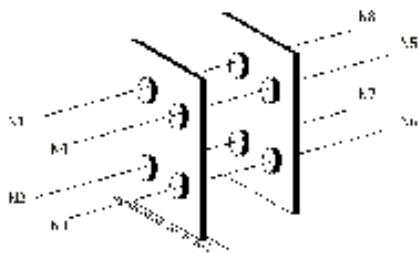
Client		Quotation Number	
Service		Date	



Dimension	A (mm)	P (mm)	L (mm)	Frame (t)	Plate (t)	R (mm)	Rmax (mm)
						175	
Material	Frame	Plate	Gasket	NozL (hot)	NozL (cold)	Flange	Bolt
							M20

NOZZLE DETAILS

Nozzle	Size	Flow	Media	Nozzle	Size	Flow	Media
N1				N5			
N2				N6			
N3				N7			
N4				N8			

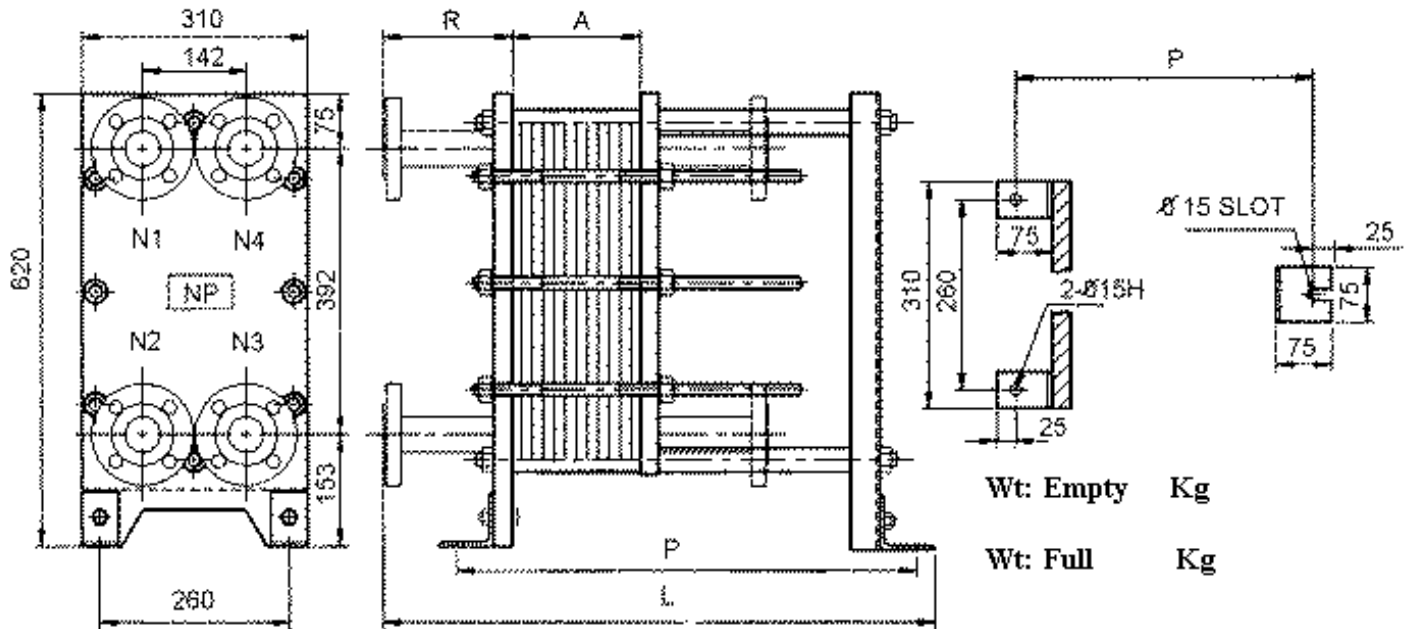


Notes:

Quotation drawing only not for construction
Manufactured by an ISO9001 Certified Company

DX-2

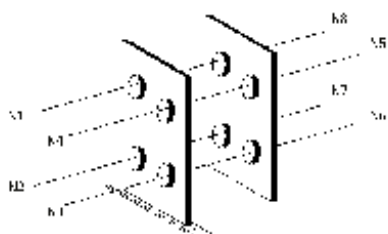
Client		Quotation Number	
Service		Date	



Dimension	A (mm)	P (mm)	L (mm)	Frame (t)	Plate (t)	R (mm)	Rmax (mm)
						175	
Material	Frame	Plate	Gasket	NozL (hot)	NozL (cold)	Flange	Bolt
							M20

NOZZLE DETAILS

Nozzle	Size	Flow	Media	Nozzle	Size	Flow	Media
N1				N5			
N2				N6			
N3				N7			
N4				N8			

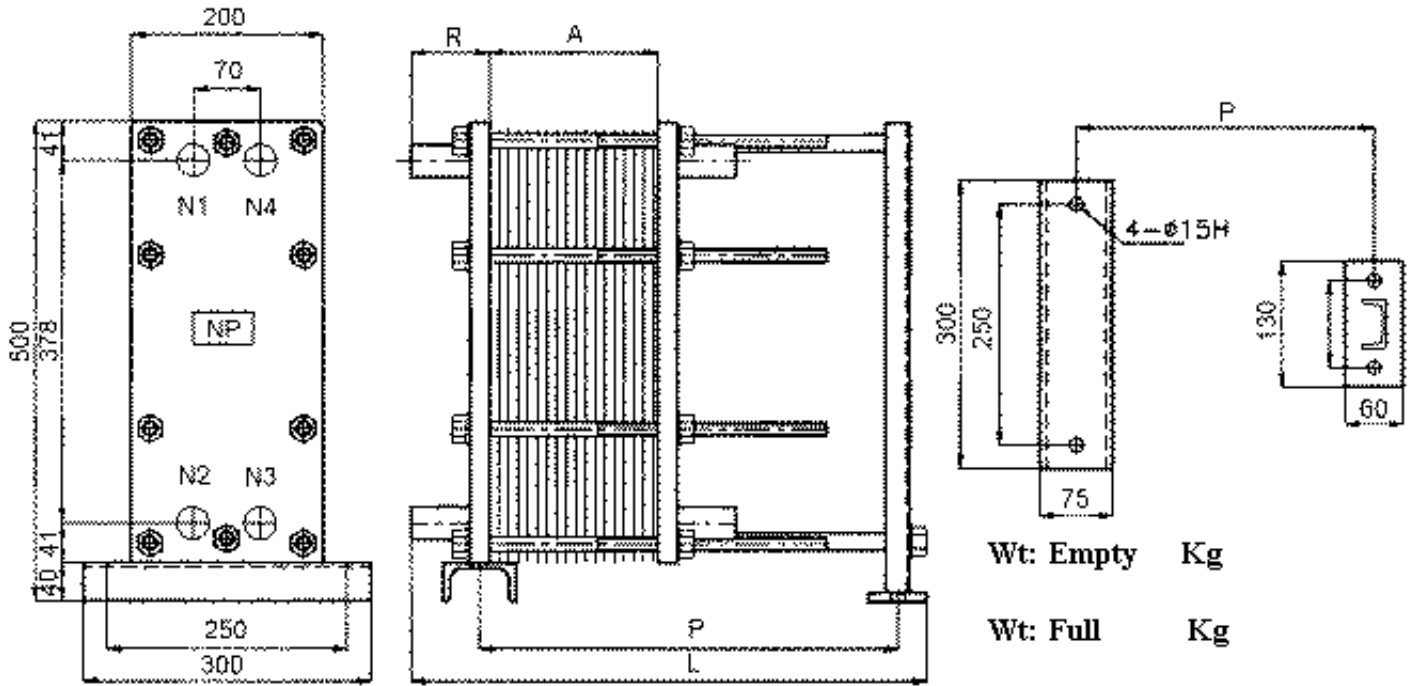


Notes:

Quotation drawing only not for construction
Manufactured by an ISO9001 Certified Company

DX-1 Multi-Pass

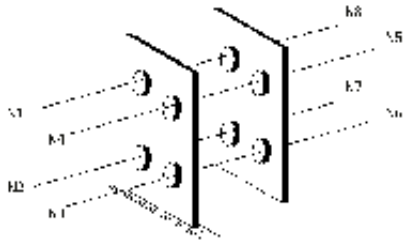
Client		Quotation Number	
Service		Date	



Dimension	A (mm)	P (mm)	L (mm)	Frame (t)	Plate (t)	R (mm)	Rmax (mm)
						175	
Material	Frame	Plate	Gasket	NozL (hot)	NozL (cold)	Flange	Bolt
							M16

NOZZLE DETAILS

Nozzle	Size	Flow	Media	Nozzle	Size	Flow	Media
N1				N5			
N2				N6			
N3				N7			
N4				N8			

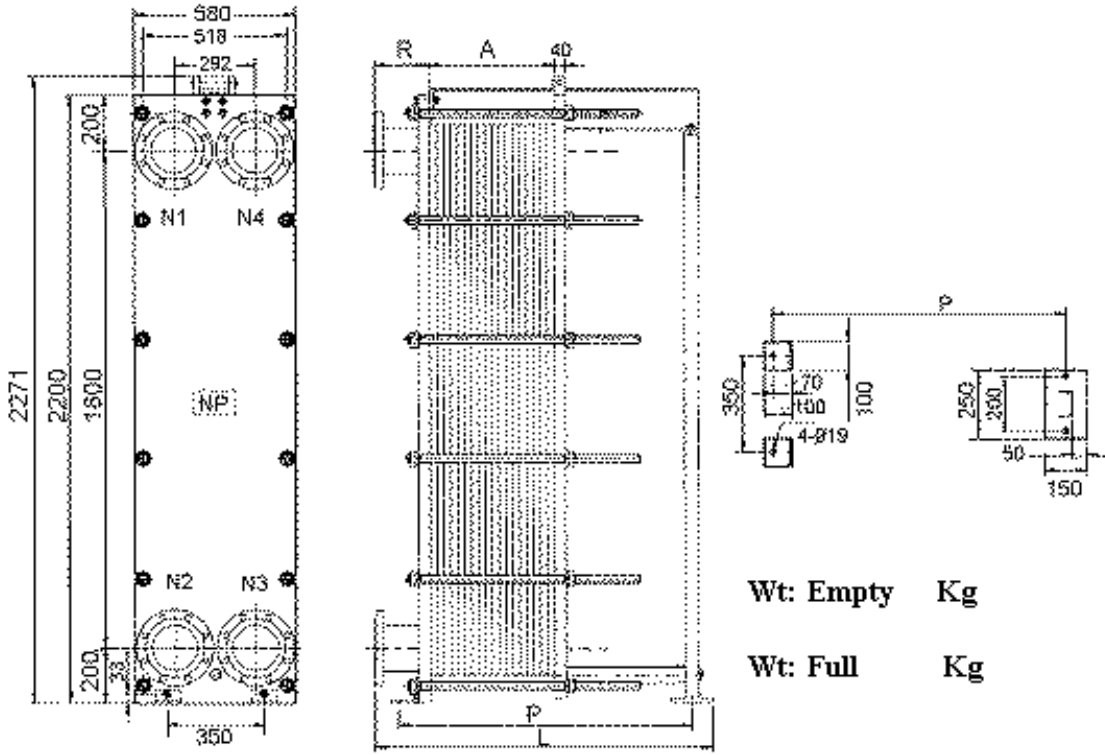


Notes:

Quotation drawing only not for construction
 Manufactured by an ISO9001 Certified Company

DX-148 Single Pass

Client		Quotation Number	
Service		Date	



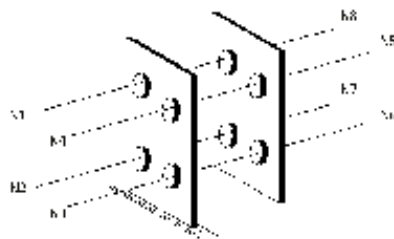
Wt: Empty Kg

Wt: Full Kg

Dimension	A (mm)	P (mm)	L (mm)	Frame (t)	Plate (t)	R (mm)	Rmax (mm)
						175	
Material	Frame	Plate	Gasket	NozL (hot)	NozL (cold)	Flange	Bolt
							M30

NOZZLE DETAILS

Nozzle	Size	Flow	Media
N1			
N2			
N3			
N4			

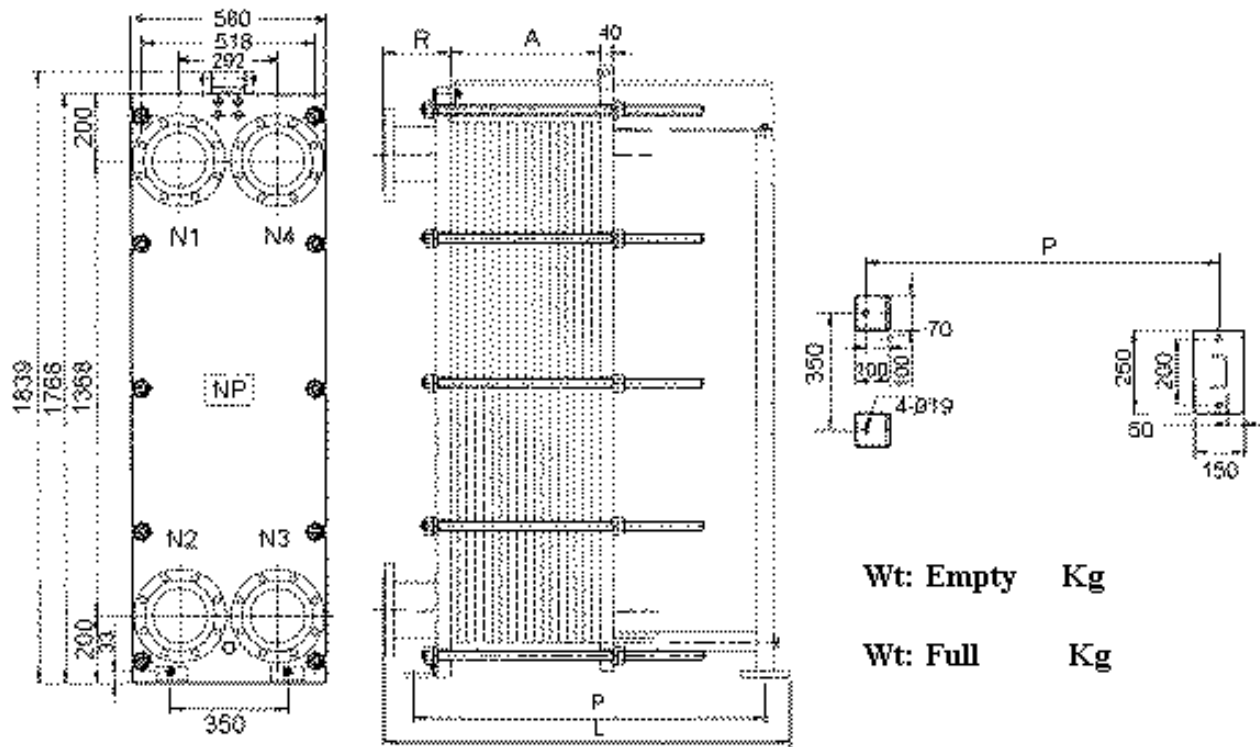


Notes:

Quotation drawing only not for construction
 Manufactured by an ISO9001 Certified Company

DX-146 Single-Pass

Client		Quotation Number	
Service		Date	



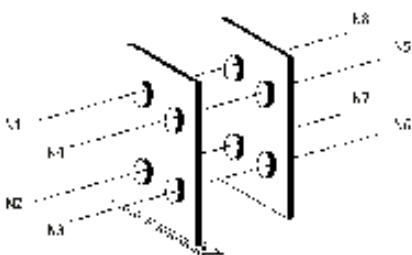
Wt: Empty Kg

Wt: Full Kg

Dimension	A (mm)	P (mm)	L (mm)	Frame (t)	Plate (t)	R (mm)	Rmax (mm)
						175	
Material	Frame	Plate	Gasket	NozL (hot)	NozL (cold)	Flange	Bolt
							M30

NOZZLE DETAILS

Nozzle	Size	Flow	Media
N1			
N2			
N3			
N4			



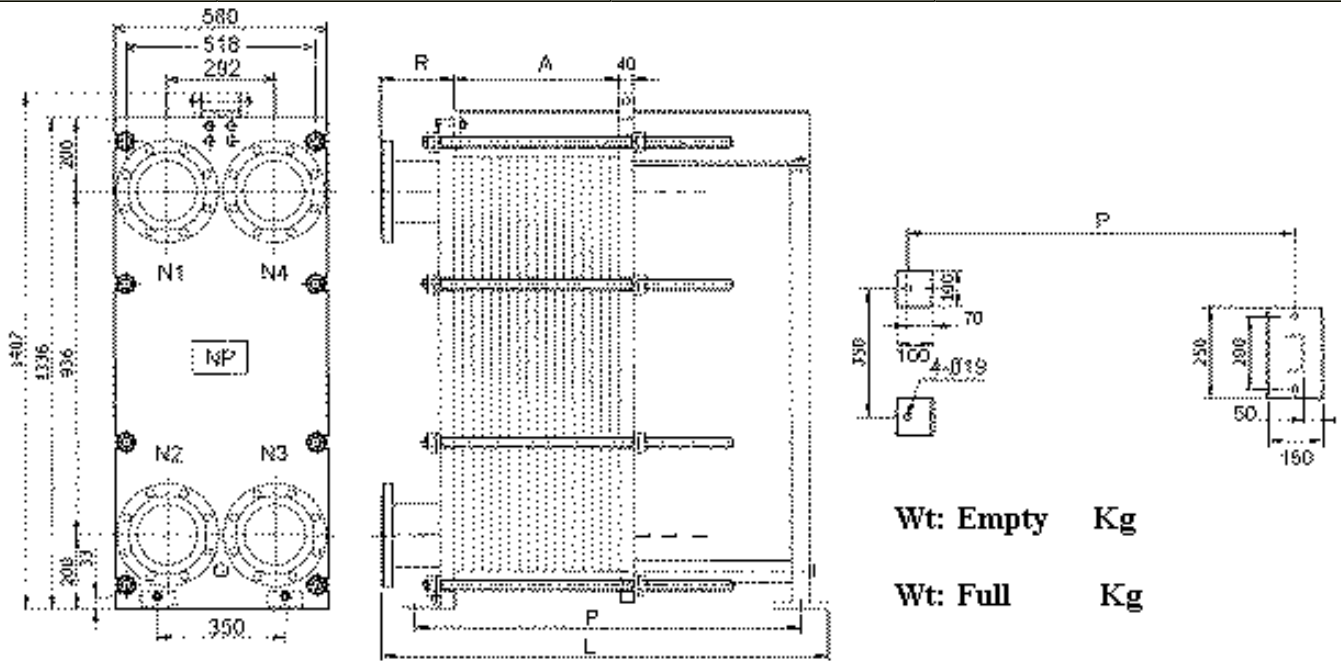
Notes:

Quotation drawing only not for construction

Manufactured by an ISO9001 Certified Company

DX-143 Single-Pass

Client		Quotation Number	
Service		Date	



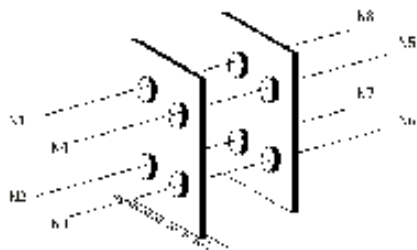
Wt: Empty Kg

Wt: Full Kg

Dimension	A (mm)	P (mm)	L (mm)	Frame (t)	Plate (t)	R (mm)	Rmax (mm)
						175	
Material	Frame	Plate	Gasket	NozL (hot)	NozL (cold)	Flange	Bolt
							M30

NOZZLE DETAILS

Nozzle	Size	Flow	Media
N1			
N2			
N3			
N4			

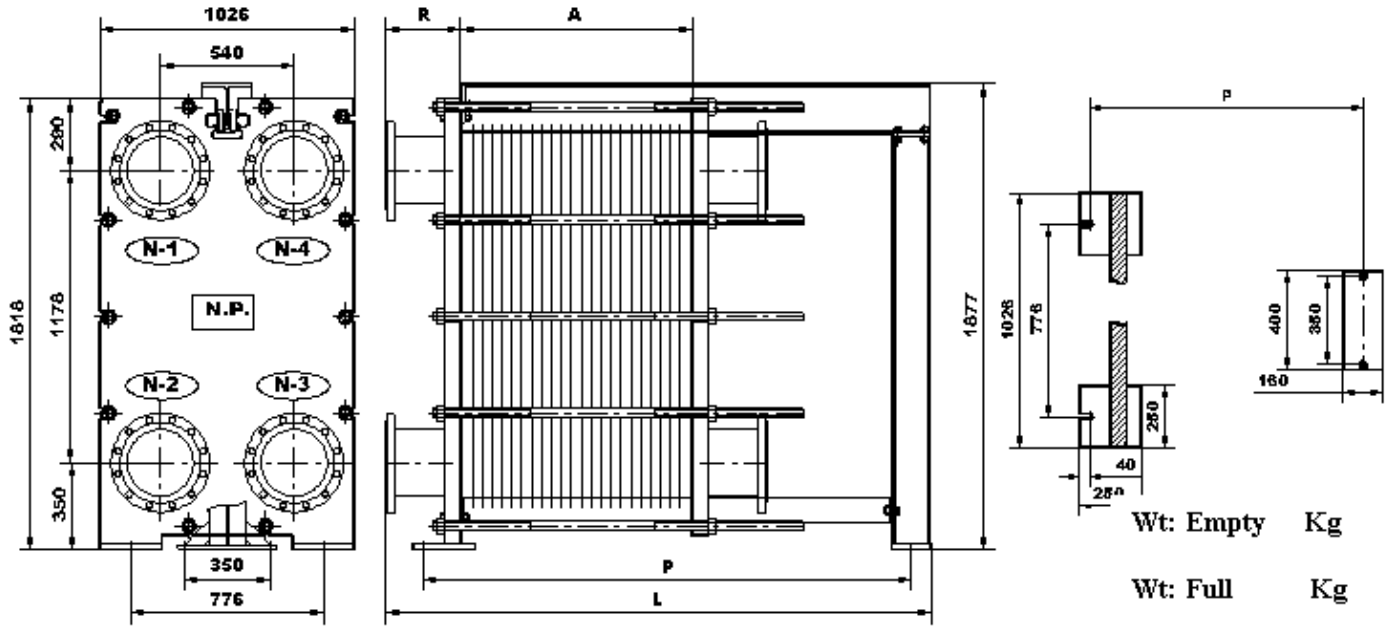


Notes:

Quotation drawing only not for construction
 Manufactured by an ISO9001 Certified Company

DX-30S

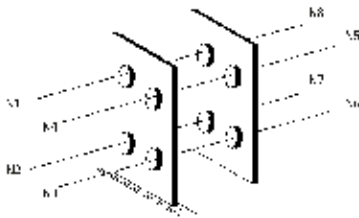
Client		Quotation Number	
Service		Date	



Dimension	A (mm)	P (mm)	L (mm)	Frame (t)	Plate (t)	R (mm)	Rmax (mm)
						175	
Material	Frame	Plate	Gasket	NozL (hot)	NozL (cold)	Flange	Bolt
							M36

NOZZLE DETAILS

Nozzle	Size	Flow	Media	Nozzle	Size	Flow	Media
N1				N5			
N2				N6			
N3				N7			
N4				N8			

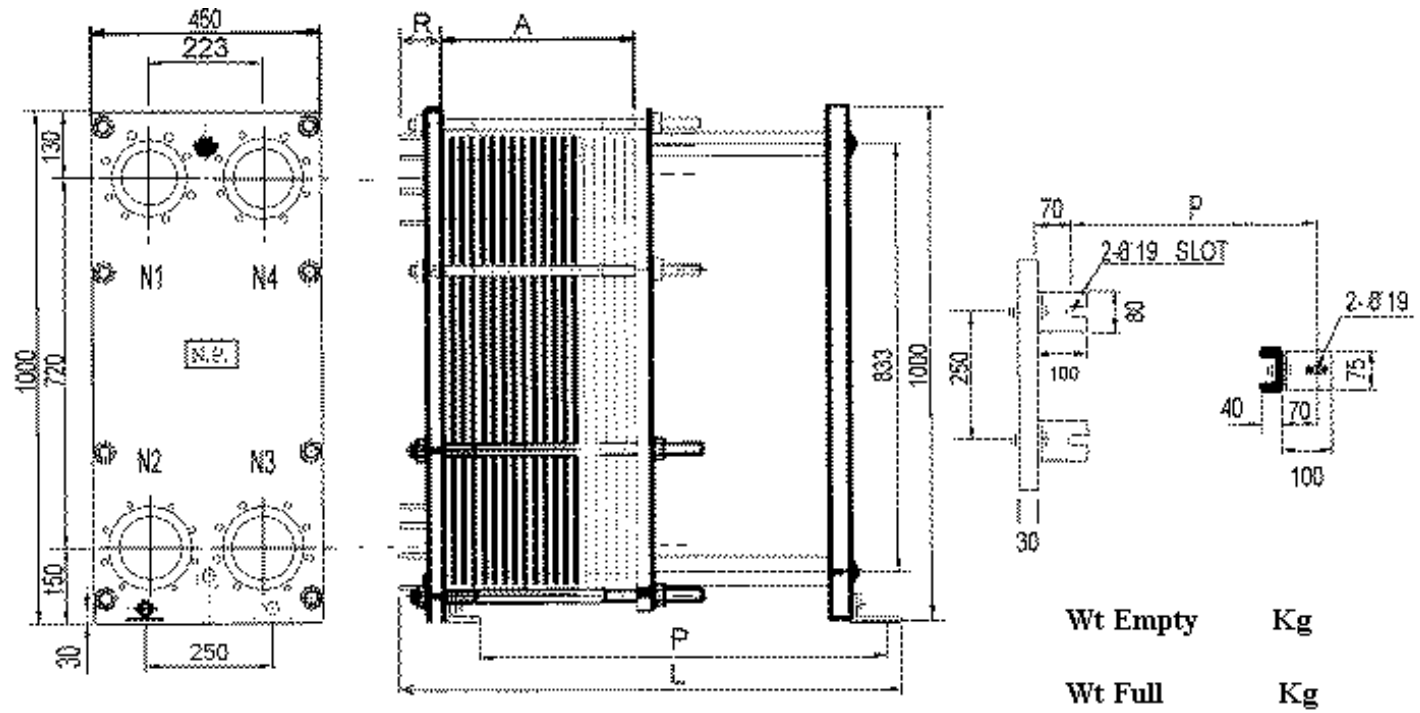


Notes:

Quotation drawing only not for construction
Manufactured by an ISO9001 Certified Company

DX-22 Single Pass Stud

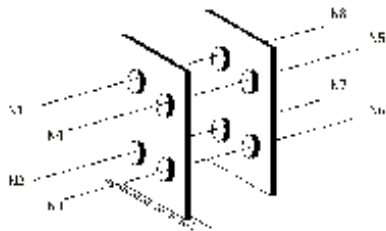
Client		Quotation Number	
Service		Date	



Dimension	A (mm)	P (mm)	L (mm)	Frame (t)	Plate (t)	R (mm)	Rmax (mm)
						90	
Material	Frame	Plate	Gasket	NozL (hot)	NozL (cold)	Flange	Bolt
							M24

NOZZLE DETAILS

Nozzle	Size	Flow	Media
N1			
N2			
N3			
N4			

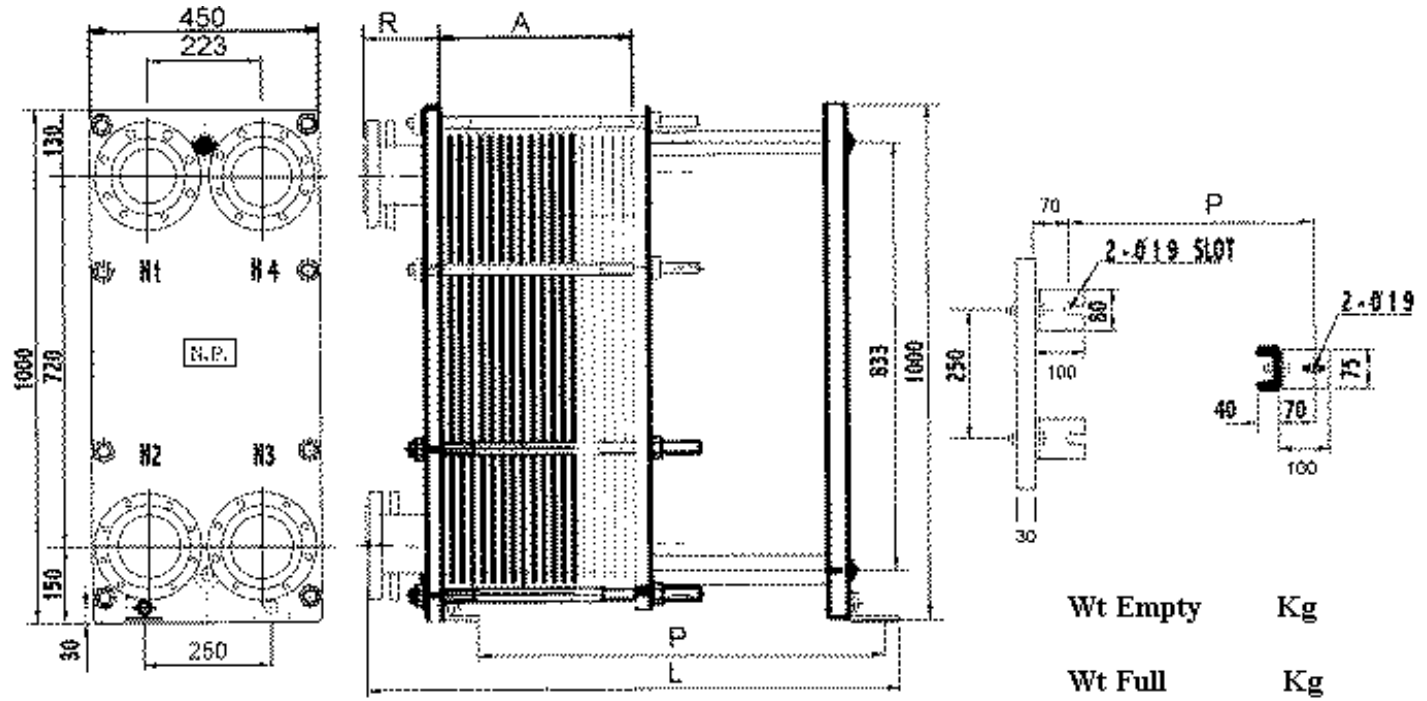


Notes:

Quotation drawing only not for construction
 Manufactured by an ISO9001 Certified Company

DX-22 Single Pass

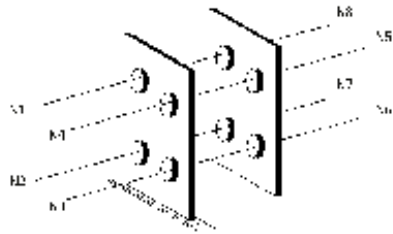
Client		Quotation Number	
Service		Date	



Dimension	A (mm)	P (mm)	L (mm)	Frame (t)	Plate (t)	R (mm)	Rmax (mm)
						175	
Material	Frame	Plate	Gasket	NozL (hot)	NozL (cold)	Flange	Bolt
							M24

NOZZLE DETAILS

Nozzle	Size	Flow	Media
N1			
N2			
N3			
N4			

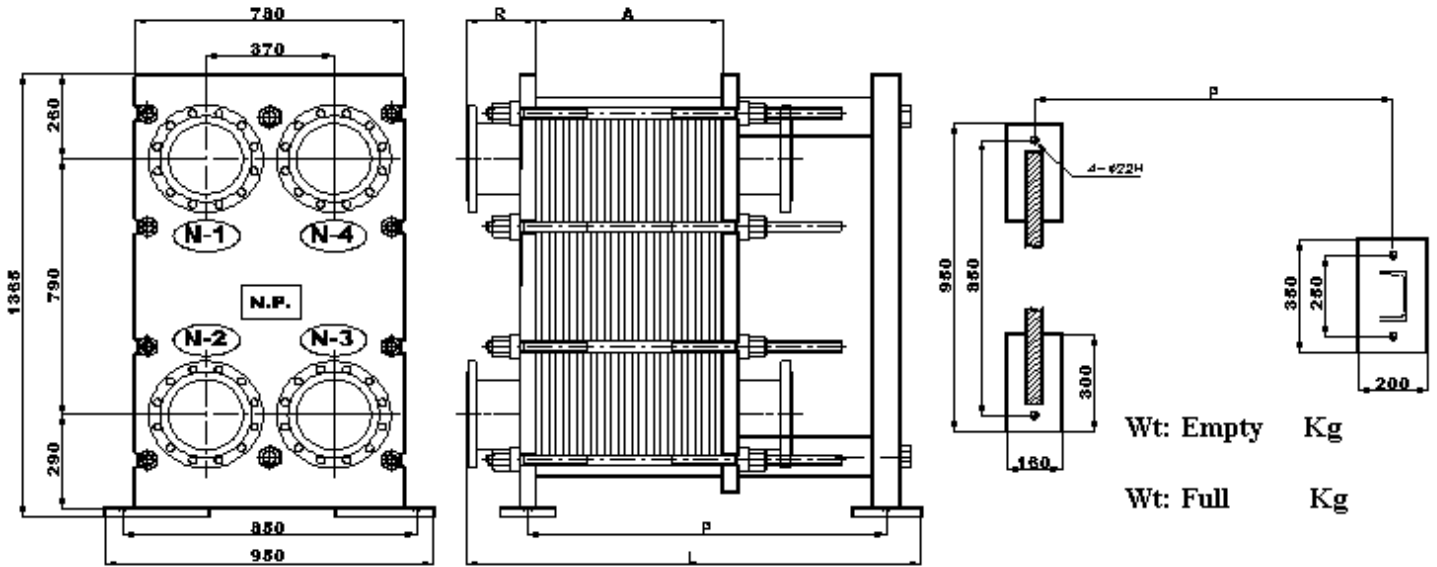


Notes:

Quotation drawing only not for construction
 Manufactured by an ISO9001 Certified Company

DX-20S

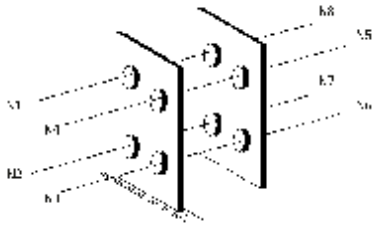
Client		Quotation Number	
Service		Date	



Dimension	A (mm)	P (mm)	L (mm)	Frame (t)	Plate (t)	R (mm)	Rmax (mm)
						175	
Material	Frame	Plate	Gasket	NozL (hot)	NozL (cold)	Flange	Bolt
							UNC 1-1/2

NOZZLE DETAILS

Nozzle	Size	Flow	Media	Nozzle	Size	Flow	Media
N1				N5			
N2				N6			
N3				N7			
N4				N8			

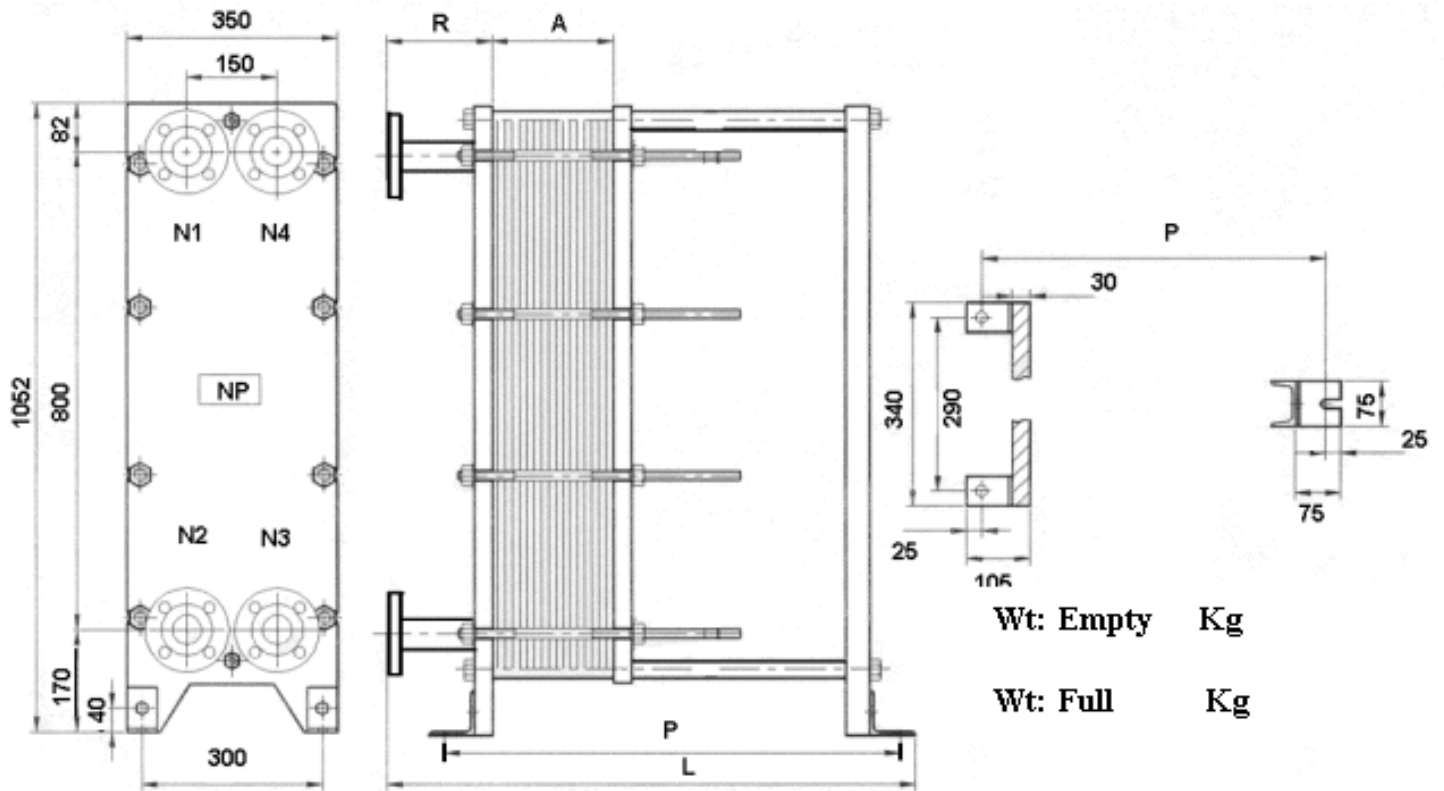


Notes:

Quotation drawing only not for construction
Manufactured by an ISO9001 Certified Company

DX-17 Single Pass

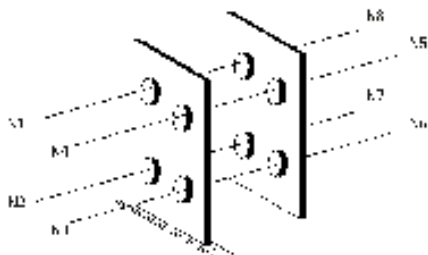
Client		Quotation Number	
Service		Date	



Dimension	A (mm)	P (mm)	L (mm)	Frame (t)	Plate (t)	R (mm)	Rmax (mm)
						175	
Material	Frame	Plate	Gasket	NozL (hot)	NozL (cold)	Flange	Bolt
							M30

NOZZLE DETAILS

Nozzle	Size	Flow	Media
N1			
N2			
N3			
N4			

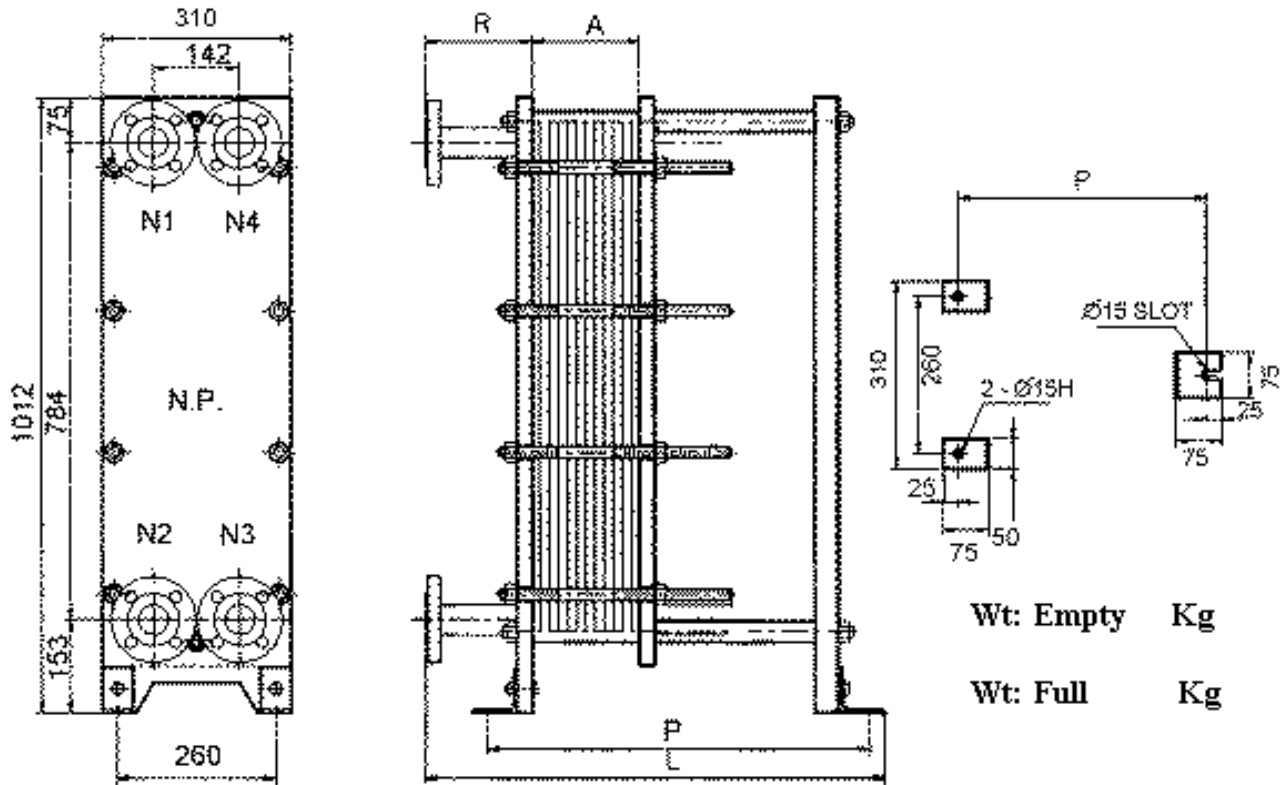


Notes:

Quotation drawing only not for construction
 Manufactured by an ISO9001 Certified Company

DX-4 Single Pass

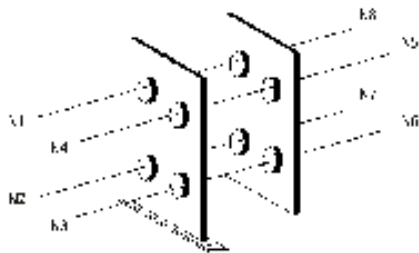
Client		Quotation Number	
Service		Date	



Dimension	A (mm)	P (mm)	L (mm)	Frame (t)	Plate (t)	R (mm)	Rmax (mm)
						175	
Material	Frame	Plate	Gasket	NozL (hot)	NozL (cold)	Flange	Bolt
							M20

NOZZLE DETAILS

Nozzle	Size	Flow	Media
N1			
N2			
N3			
N4			

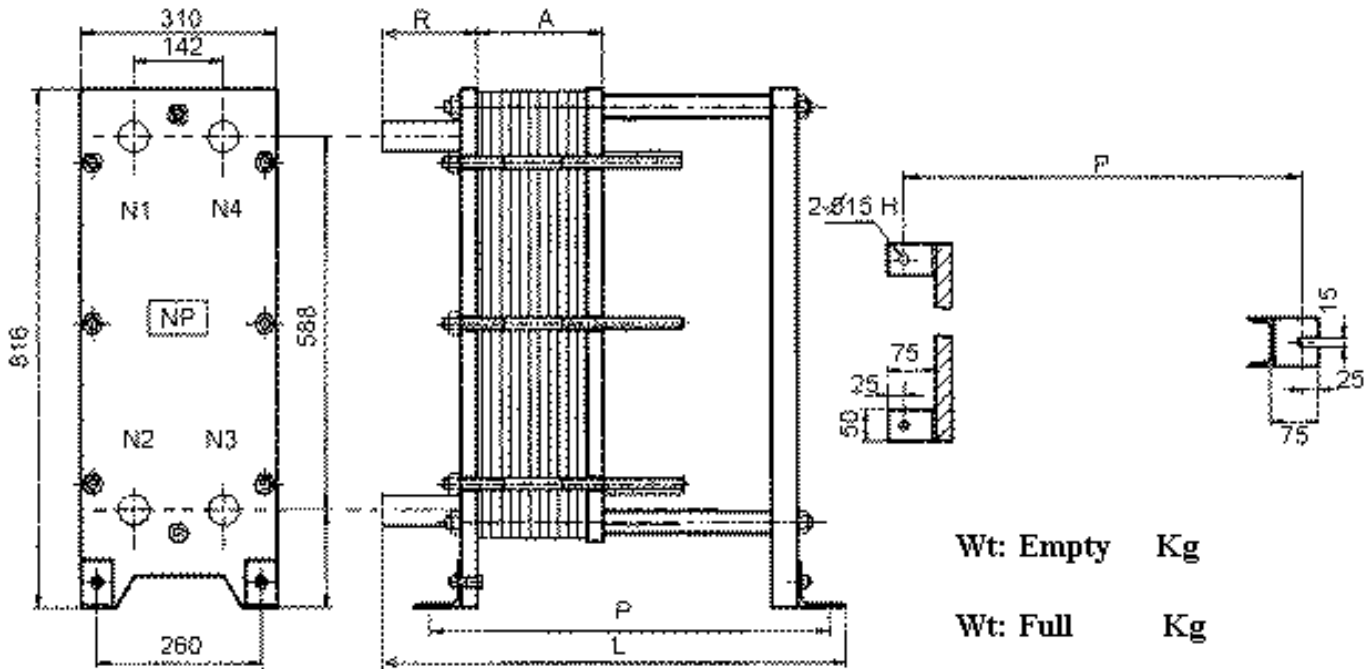


Notes:

Quotation drawing only not for construction
 Manufactured by an ISO9001 Certified Company

DX-3 Single Pass Pipe

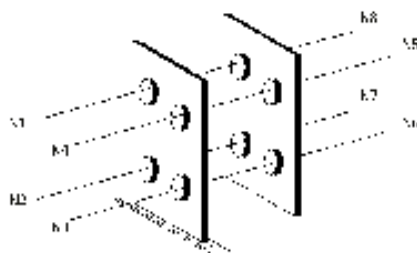
Client		Quotation Number	
Service		Date	



Dimension	A (mm)	P (mm)	L (mm)	Frame (t)	Plate (t)	R (mm)	Rmax (mm)
						175	
Material	Frame	Plate	Gasket	NozL (hot)	NozL (cold)	Flange	Bolt
							M20

NOZZLE DETAILS

Nozzle	Size	Flow	Media
N1			
N2			
N3			
N4			

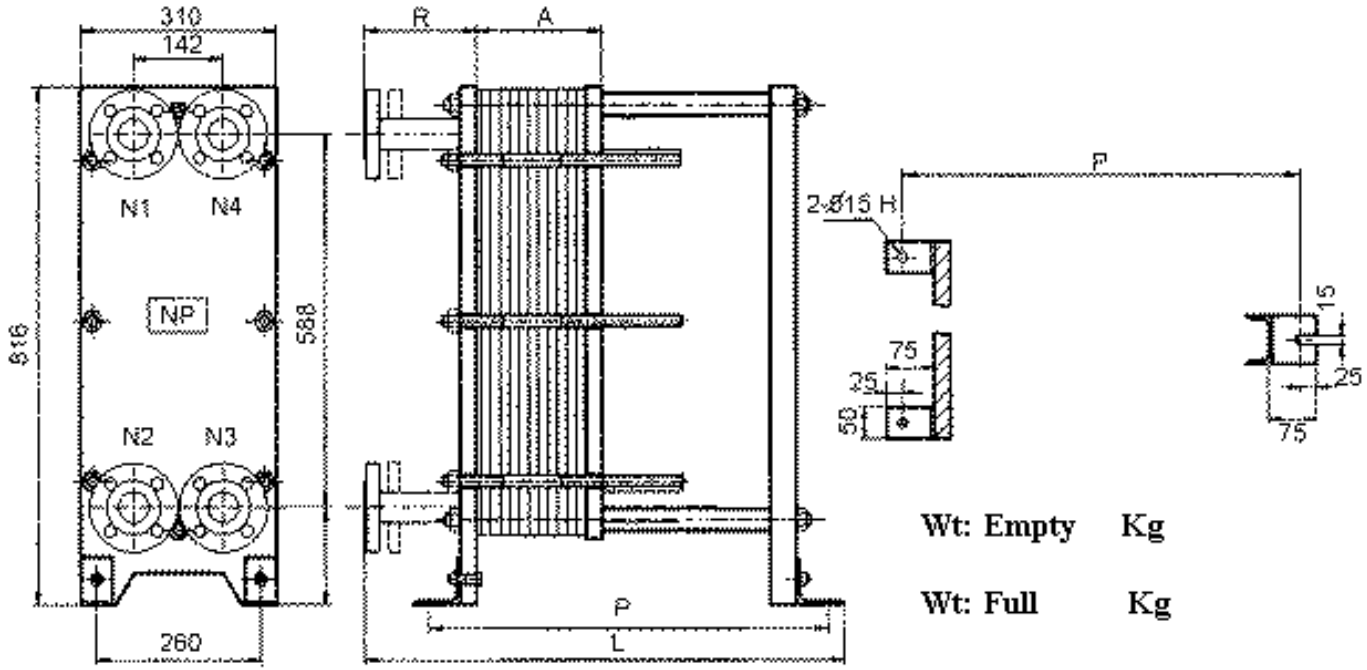


Notes:

Quotation drawing only not for construction
Manufactured by an ISO9001 Certified Company

DX-3 Single Pass Flange

Client		Quotation Number	
Service		Date	



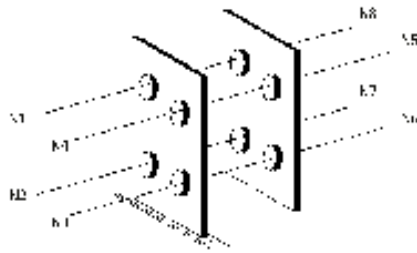
Wt: Empty Kg

Wt: Full Kg

Dimension	A (mm)	P (mm)	L (mm)	Frame (t)	Plate (t)	R (mm)	Rmax (mm)
						175	
Material	Frame	Plate	Gasket	NozL (hot)	NozL (cold)	Flange	Bolt
							M20

NOZZLE DETAILS

Nozzle	Size	Flow	Media
N1			
N2			
N3			
N4			

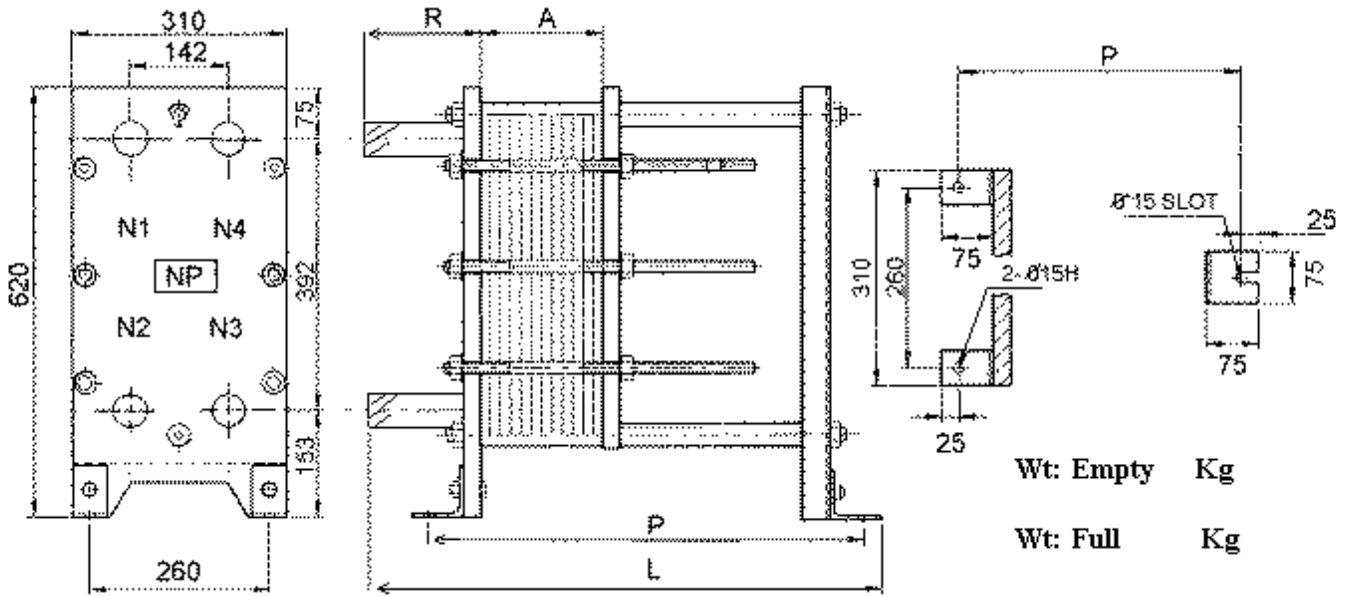


Notes:

Quotation drawing only not for construction
 Manufactured by an ISO9001 Certified Company

DX-2 Single Pass Pipe

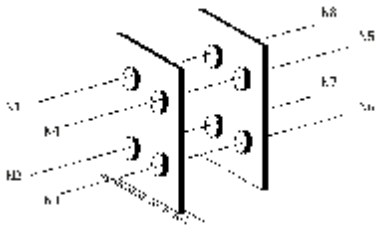
Client		Quotation Number	
Service		Date	



Dimension	A (mm)	P (mm)	L (mm)	Frame (t)	Plate (t)	R (mm)	Rmax (mm)
						175	
Material	Frame	Plate	Gasket	NozL (hot)	NozL (cold)	Flange	Bolt
							M20

NOZZLE DETAILS

Nozzle	Size	Flow	Media
N1			
N2			
N3			
N4			

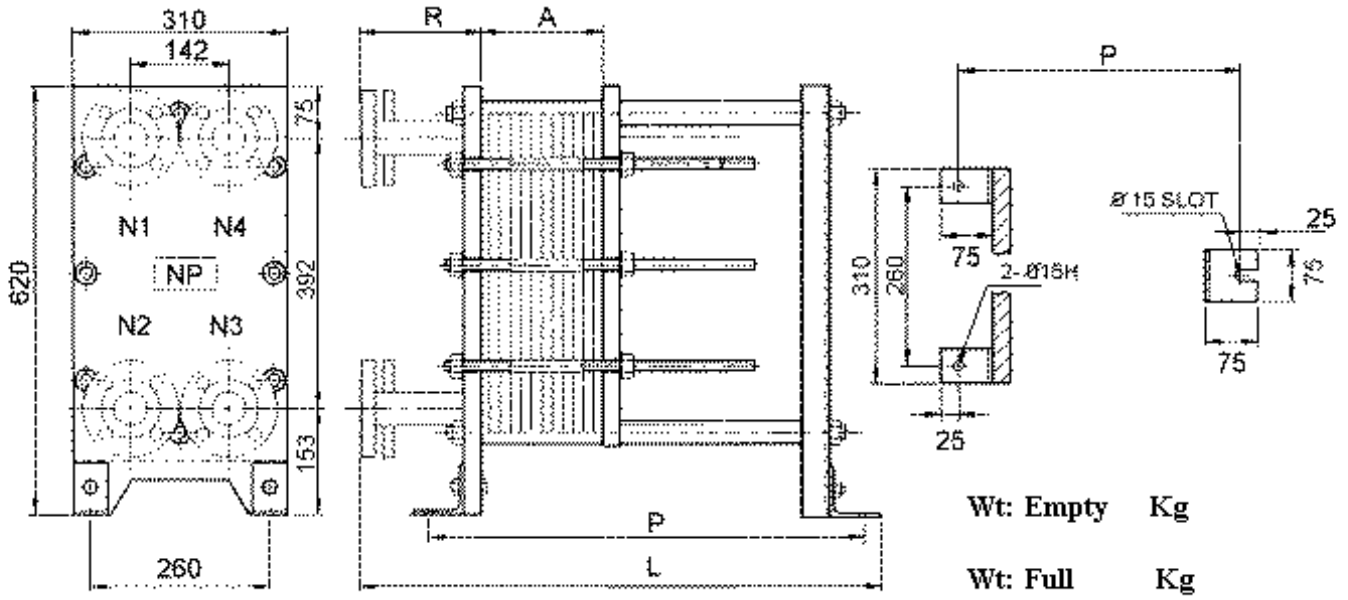


Notes:

Quotation drawing only not for construction
Manufactured by an ISO9001 Certified Company

DX-2 Single Pass Flange

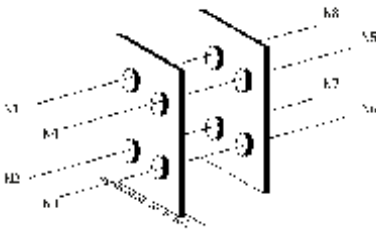
Client		Quotation Number	
Service		Date	



Dimension	A (mm)	P (mm)	L (mm)	Frame (t)	Plate (t)	R (mm)	Rmax (mm)
						175	
Material	Frame	Plate	Gasket	NozL (hot)	NozL (cold)	Flange	Bolt
							M20

NOZZLE DETAILS

Nozzle	Size	Flow	Media
N1			
N2			
N3			
N4			

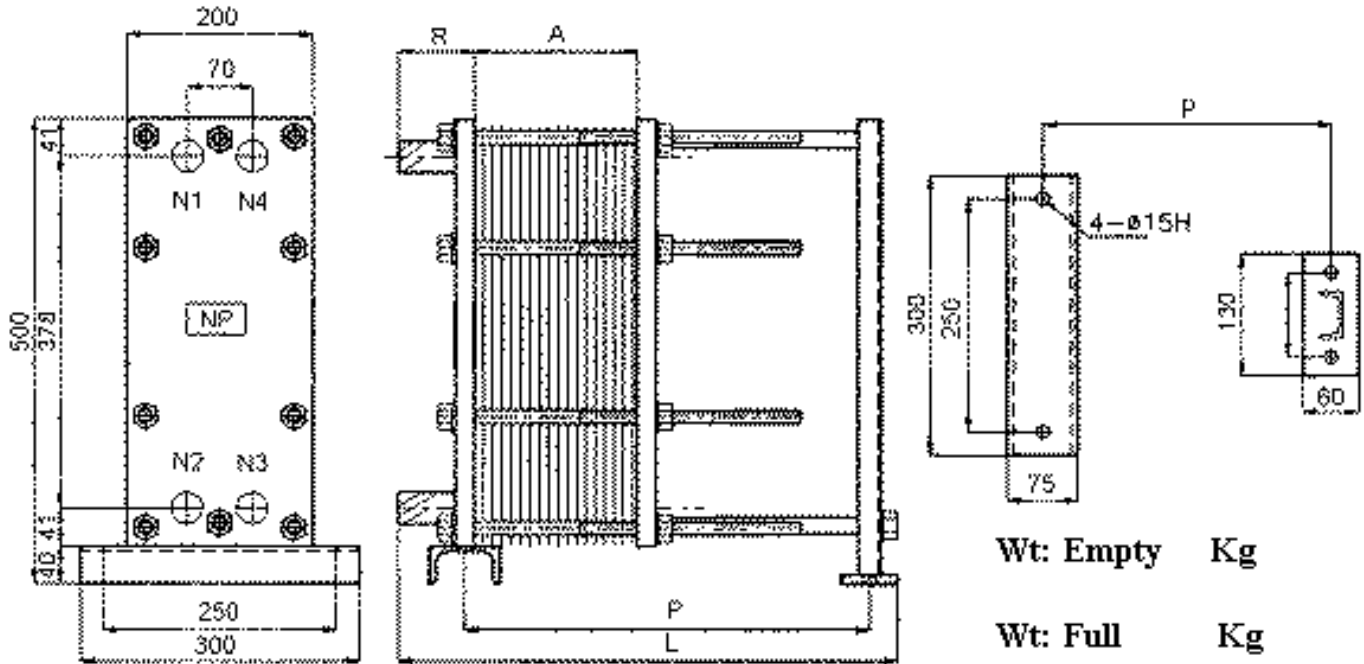


Notes:

Quotation drawing only not for construction
Manufactured by an ISO9001 Certified Company

DX1-1P Single Pass

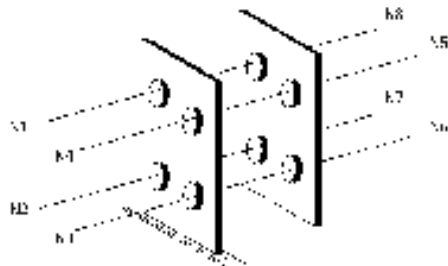
Client		Quotation Number	
Service		Date	



Dimension	A (mm)	P (mm)	L (mm)	Frame (t)	Plate (t)	R (mm)	Rmax (mm)
						175	
Material	Frame	Plate	Gasket	NozL (hot)	NozL (cold)	Flange	Bolt
							M16

NOZZLE DETAILS

Nozzle	Size	Flow	Media
N1			
N2			
N3			
N4			



Notes:

Quotation drawing only not for construction
 Manufactured by an ISO9001 Certified Company